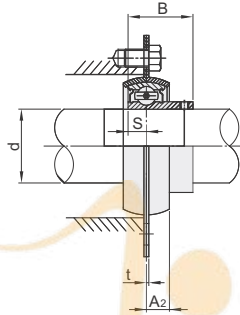
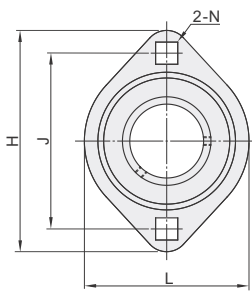


Pillow Block Units

- ◀ Diamond Shape Flanged
- ◀ Pillow Type
- Sheet Metal Housing

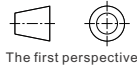
□ Diamond Shape Flanged

| Code | Material | |
|------------|----------------------------------|---------|
| | Housing | Bearing |
| BDC | Quality Carbon Structural Steels | GCr15 |



Inventory

□ Accuracy: JIS B 1558
JIS B 1514
JIS B 1559
(GB/T 7809-1995)



| Part Number | | d | H | J | A ₂ | L | N | t | S | B | Mounting Hole Size (Δ) Tolerance | Mounting Hole Position Deviation x | Bolt | Tightening Torque (N·m) | Basic Load Rating (kN) | | Mass (g) |
|-------------|------------|----|-----|------|----------------|----|-----|---|-----|----|----------------------------------|------------------------------------|------|-------------------------|------------------------|--------------|----------|
| Code | No. | | | | | | | | | | | | | | Cr (Dynamic) | Cor (Static) | |
| BDC | 201 | 12 | 81 | 63.5 | 7 | 59 | 7.1 | | 6 | 22 | | | M6 | 4 | 9550 | 4780 | 190 |
| | 202 | 15 | | | | | | 2 | | | | | | | | | |
| | 204 | 20 | 90 | 71.5 | 8 | 67 | 9 | | 7 | 25 | ±0.25 | 0.6 | M8 | 8 | 12800 | 6650 | 240 |
| | 205 | 25 | 95 | 76 | 9 | 71 | | | 7.5 | 27 | | | | | 14000 | 7880 | 280 |
| | 206 | 30 | 113 | 90.5 | 9.5 | 84 | 11 | | 2.6 | 8 | 30 | | | M10 | 17 | 19500 | 11200 |



Please order as shown

| Part Number | | d |
|-------------|------------|----|
| Code | No. | |
| BDC | 201 | 12 |
| | 202 | 15 |

BDC — 201



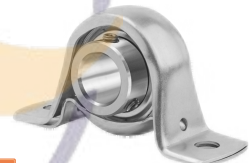
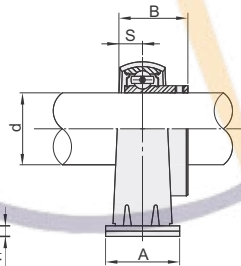
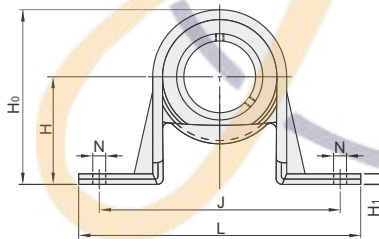
| Discount price | | |
|----------------|------|----------------------|
| Per | 1~9 | 10~ |
| Price | 100% | Additional quotation |



| Delivery | |
|----------|-----|
| Per | 10~ |
| 6 | |

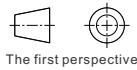
□ Pillow Type

| Code | Material | |
|------------|----------------------------------|---------|
| | Housing | Bearing |
| BDF | Quality Carbon Structural Steels | GCr15 |



Inventory

□ Accuracy: JIS B 1558
JIS B 1514
JIS B 1559
(GB/T 7809-1995)



| Part Number | | d | H | J | L | A | N | H ₁ | H ₀ | S | B | Mounting Hole Size (Δ) Tolerance | Mounting Hole Position Deviation x | Bolt | Tightening Torque (N·m) | Basic Load Rating(N) | | Mass (g) |
|-------------|------------|----|------|----|-----|----|------|----------------|----------------|-----|----|----------------------------------|------------------------------------|------|-------------------------|----------------------|-------------|----------|
| Code | No. | | | | | | | | | | | | | | | Cr(Dynamic) | Cor(Static) | |
| BDF | 201 | 12 | | | | 25 | | | 43.8 | 6 | 22 | | | M8 | 8 | 9550 | 4780 | 160 |
| | 202 | 15 | 22.2 | 68 | 86 | | 9.5 | 3 | | | | | | | | | | |
| | 204 | 20 | 25.4 | 76 | 98 | | | | 50.5 | 7 | 25 | ±0.25 | 0.6 | | | 12800 | 6650 | 230 |
| | 205 | 25 | 28.6 | 86 | 108 | | 11.5 | 4 | 56.6 | 7.5 | 27 | | | M10 | 17 | 14000 | 7880 | 280 |
| | 206 | 30 | 33.3 | 95 | 117 | 38 | | | 66.3 | 8 | 30 | | | | | 19500 | 11200 | 470 |



Please order as shown

| Part Number | | d |
|-------------|------------|----|
| Code | No. | |
| BDF | 201 | 12 |
| | 202 | 15 |

BDF — 201



| Discount price | | |
|----------------|------|----------------------|
| Per | 1~9 | 10~ |
| Price | 100% | Additional quotation |



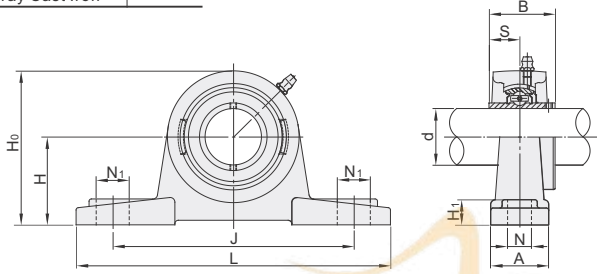
| Delivery | |
|----------|-----|
| Per | 10~ |
| 6 | |

Pillow Block Units

- ◀ With Grease Fittings
- ◀ Compact with Grease Fittings
- Cast Housing

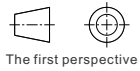
With Grease Fittings

| Code | Material | |
|------------|-------------------------|---------|
| | Housing | Bearing |
| BDJ | HT200 Gray Cast Iron | GCr15 |



Inventory

Accuracy: JIS B 1558
JIS B 1514
JIS B 1559
(GB/T 7809-1995)



| Part Number | | d | H | L | J | A | N | N ₁ | H ₁ | H ₀ | S | B | Mounting Hole Size (Δ) Tolerance | Mounting Hole Position Deviation x | Bolt | Tightening Torque (N·m) | Basic Load Rating(N) | | Mass (g) | |
|-------------|-----|----|------|-----|-----|----|----|----------------|----------------|----------------|------|------|----------------------------------|------------------------------------|------|-------------------------|----------------------|-------------|----------|------------|
| Code | No. | | | | | | | | | | | | | | | | | Cr(Dynamic) | | Co(Static) |
| BDJ | 201 | 12 | | | | | | | | | | | | ±0.5 | M10 | 17 | 12800 | 6650 | 630 | |
| | 202 | 15 | 30.2 | | 127 | 95 | | | | 62 | 12.7 | 31 | | | | | | | | |
| | 203 | 17 | | | | | 38 | 13 | 19 | 15 | | | | | | | | | | 0.6 |
| | 204 | 20 | 33.3 | | | | | | | | 65 | | | ±0.5 | M14 | 47 | 14000 | 7880 | 790 | |
| | 205 | 25 | 36.5 | 140 | 105 | | | | 16 | 16 | 70 | 14.3 | 34 | | | | | | | |
| | 206 | 30 | 42.9 | 165 | 121 | | | 48 | | 21 | 18 | 83 | 15.9 | | | | | | | 38.1 |
| | 207 | 35 | 47.6 | 167 | 127 | | | | | | | 94 | 17.5 | | | | | | | 42.9 |
| | 208 | 40 | 49.2 | 184 | 137 | | | 54 | 17 | 25 | 19 | 100 | | | 0.8 | M16 | 73 | 29600 | 18200 | 2000 |
| | 209 | 45 | 54 | 190 | 146 | | | | | 22 | 20 | 108 | 19 | | | | | | | |
| | 210 | 50 | 57.2 | 206 | 159 | 60 | 20 | 25 | 22 | 114 | | | 51.6 | | | | | | | |



| Part Number | | d |
|-------------|-----|----|
| Code | No. | |
| BDJ | 201 | 12 |
| BDJ | 202 | 15 |

BDJ — 201

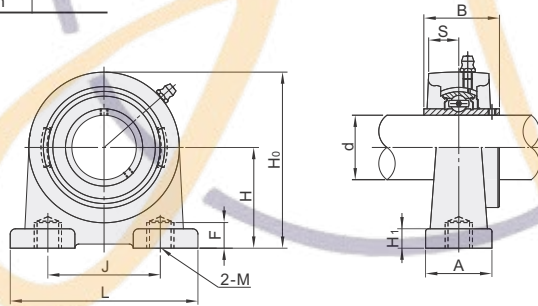


| Discount price | |
|----------------|----------------------|
| Per | Price |
| 1~9 | 100% |
| 10~ | Additional quotation |



Compact with Grease Fittings

| Code | Material | |
|------------|-------------------------|---------|
| | Housing | Bearing |
| BDP | HT200 Gray Cast Iron | GCr15 |



Inventory

Accuracy: JIS B 1558
JIS B 1514
JIS B 1559
(GB/T 7809-1995)



| Part Number | | d | H | L | J | A | H ₀ | H ₁ | S | B | F | M | Mounting Hole Size (Δ) Tolerance | Mounting Hole Position Deviation x | Tightening Torque (N·m) | Basic Load Rating(N) | | Mass (g) | | | | | | |
|-------------|-----|----|------|-----|----|----|----------------|----------------|------|------|----|---|----------------------------------|------------------------------------|-------------------------|----------------------|------------|----------|-------|------|----|-------|-------|------|
| Code | No. | | | | | | | | | | | | | | | Cr(Dynamic) | Co(Static) | | | | | | | |
| BDP | 203 | 17 | 30.2 | 76 | 52 | | 62 | 8 | 12.7 | 31 | 12 | | ±0.5 | M10 | 17 | 12800 | 6650 | 520 | | | | | | |
| | 204 | 20 | | | | 38 | | | | | | | | | | | | | | | | | | |
| | 205 | 25 | 36.5 | 84 | 56 | | 72 | 10 | 14.3 | 34 | 15 | | | | | | | | 0.6 | | | | | |
| | 206 | 30 | 42.9 | 94 | 66 | | 84 | | 15.9 | 38.1 | 18 | | ±0.5 | M14 | 47 | 14000 | 7880 | 720 | | | | | | |
| | 207 | 35 | 47.6 | 110 | 80 | | 95 | | 17.5 | 42.9 | | | | | | | | | | | | | | |
| | 208 | 40 | 49.2 | 116 | 84 | | 100 | 12 | | 49.2 | | | | | | | | | 0.8 | M16 | 73 | 29600 | 18200 | 1840 |
| | 209 | 45 | 54.2 | 120 | 90 | | 108 | | 19 | | | | | | | | | | | | | | | |
| | 210 | 50 | 57.2 | 130 | 94 | 60 | 116 | 14 | | | 25 | | | | | | 31850 | 20800 | 2060 | | | | | |
| | | | | | | | | | | | | | | | | | | 35100 | 23200 | 2440 | | | | |

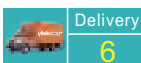


| Part Number | | d |
|-------------|-----|----|
| Code | No. | |
| BDP | 203 | 17 |
| BDP | 204 | 20 |

BDP — 203



| Discount price | |
|----------------|----------------------|
| Per | Price |
| 1~9 | 100% |
| 10~ | Additional quotation |



Housing with Housings

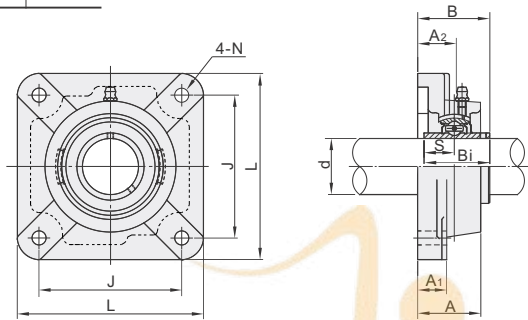
E6

Pillow Block Units

◀ Square Flanged Type ◀ Diamond Shape Flanged Cast Housing

□ Square Flanged Type

| Code | Material | |
|------------|-------------------------|---------|
| | Housing | Bearing |
| BDR | HT200 Gray Cast Iron | GCr15 |



Inventory

Accuracy: JIS B 1558
JIS B 1514
JIS B 1559
(GB/T 7809-1995)



The first perspective

| Part Number | | d | L | J | A ₂ | A ₁ | A | N | S | B | Bi | Mounting Hole Size (Δ) Tolerance | Mounting Hole Position Deviation x | Bolt | Tightening Torque (N·m) | Basic Load Rating(N) | | Mass (g) | |
|-------------|------------|----|-----|-----|----------------|----------------|------|----|------|------|------|-------------------------------------|------------------------------------|------|-------------------------|----------------------|-------|----------|--|
| Code | No. | | | | | | | | | | | | | | | | | | |
| BDR | 202 | 15 | | | | | | | | | | | | | | | | | |
| | 203 | 17 | 86 | 64 | 15 | 12 | 25.5 | | 12.7 | 33.3 | 31 | | | | | 12800 | 6650 | 630 | |
| | 204 | 20 | | | | | | 12 | | | | | 0.6 | M10 | 17 | | | | |
| | 205 | 25 | 95 | 70 | 16 | | 27 | | 14.3 | 35.7 | 34 | | | | | 14000 | 7880 | 820 | |
| | 206 | 30 | 108 | 83 | 18 | 14 | 31 | | 15.9 | 40.2 | 38.1 | ±0.5 | | | | 19500 | 11200 | 1100 | |
| | 207 | 35 | 117 | 92 | 19 | | 34 | 14 | 17.5 | 44.4 | 42.9 | | | M12 | 29 | 25700 | 15200 | 1500 | |
| | 208 | 40 | 130 | 102 | 21 | | 36 | | | 51.2 | | | | | | 29600 | 18200 | 1900 | |
| | 209 | 45 | 137 | 105 | | 18 | 38 | 16 | 19 | 52.2 | 49.2 | | 0.8 | M14 | 47 | 31850 | 20800 | 2300 | |
| | 210 | 50 | 143 | 111 | | | 40 | | | 54.6 | 51.6 | | | | | 35100 | 23200 | 2500 | |



Please order as shown

| Part Number | | d |
|-------------|------------|----|
| Code | No. | |
| BDR | 202 | 15 |
| | 203 | 17 |

BDR-202



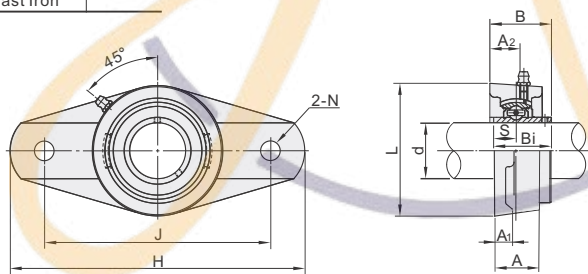
| Per | Discount price | |
|-------|----------------|----------------------|
| | 1~9 | 10~ |
| Price | 100% | Additional quotation |



Delivery
6

◻ Diamond Shape Flanged

| Code | Material | |
|------------|-------------------------|---------|
| | Housing | Bearing |
| BDU | HT200 Gray Cast Iron | GCr15 |



Inventory

Accuracy: JIS B 1558
JIS B 1514
JIS B 1559
(GB/T 7809-1995)



The first perspective

| Part Number | | d | H | J | L | A ₂ | A ₁ | A | N | S | B | Bi | Mounting Hole Size (Δ) Tolerance | Mounting Hole Position Deviation x | Bolt | Tightening Torque (N·m) | Basic Load Rating(N) | | Mass (g) |
|-------------|------------|----|-----|-----|-----|----------------|----------------|------|----|------|------|------|-------------------------------------|------------------------------------|------|-------------------------|----------------------|-------|----------|
| Code | No. | | | | | | | | | | | | | | | | | | |
| BDU | 202 | 15 | | | | | | | | | | | | | | | | | |
| | 203 | 17 | 113 | 90 | 60 | 15 | 12 | 25.5 | 12 | 12.7 | 33.3 | 31 | | | M10 | 17 | 12800 | 6650 | 490 |
| | 204 | 20 | | | | | | | | | | | | 0.6 | | | | | |
| | 205 | 25 | 130 | 99 | 68 | 16 | | 27 | | 14.3 | 35.7 | 34 | | | | | 14000 | 7880 | 630 |
| | 206 | 30 | 148 | 117 | 80 | 18 | 14 | 31 | | 15.9 | 40.2 | 38.1 | ±0.5 | | | | 19500 | 11200 | 940 |
| | 207 | 35 | 161 | 130 | 90 | 19 | | 34 | 16 | 17.5 | 44.4 | 42.9 | | | M14 | 47 | 25700 | 15200 | 1200 |
| | 208 | 40 | 175 | 144 | 100 | 21 | | 36 | | | 51.2 | | | | | | 29600 | 18200 | 1600 |
| | 209 | 45 | 188 | 148 | 108 | | 18 | 38 | 19 | 52.2 | 49.2 | | 0.8 | | | | 31850 | 20800 | 1900 |
| | 210 | 50 | 197 | 157 | 115 | | | 40 | | | 54.6 | 51.6 | | | M16 | 73 | 35100 | 23200 | 2200 |



Please order as shown

| Part Number | | d |
|-------------|------------|----|
| Code | No. | |
| BDU | 202 | 15 |
| | 203 | 17 |

BDU-202



| Per | Discount price | |
|-------|----------------|----------------------|
| | 1~9 | 10~ |
| Price | 100% | Additional quotation |



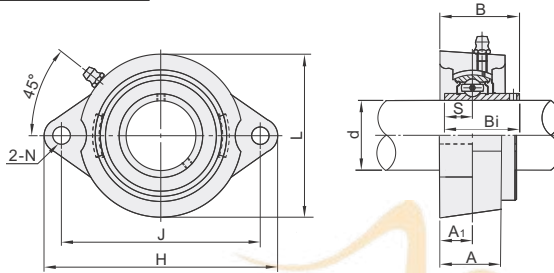
Delivery
6

Pillow Block Units

Compact Diamond Shape Flanged
With Pilot
Cast Housing

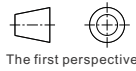
Compact Diamond Shape Flanged

| Code | Material | |
|------------|-------------------------|---------|
| | Housing | Bearing |
| BDV | HT200 Gray Cast Iron | GCr15 |



Inventory

Accuracy: JIS B 1558
JIS B 1514
JIS B 1559
(GB/T 7809-1995)



| Part Number | Code | No. | d | H | J | L | A ₁ | A | N | S | B | Bi | Mounting Hole Size (Δ) Tolerance | Mounting Hole Position Deviation x | Bolt | Tightening Torque (N·m) | Basic Load Rating(N) | | Mass (g) |
|-------------|-------------|-----|----|-----|------|----|----------------|------|----|-----|------|----|----------------------------------|------------------------------------|------|-------------------------|----------------------|------------|----------|
| | | | | | | | | | | | | | | | | | Cr(Dynamic) | Co(Static) | |
| BDV | 201G | | 12 | | | | | | | | | | | | | | | | 270 |
| | 202G | | 15 | 81 | 63.5 | 56 | 9.5 | 18 | 8 | 6 | 25.5 | 22 | | | M6 | 4 | 9550 | 4780 | 260 |
| | 203G | | 17 | | | | | | | | | | | | | | | | 250 |
| | 204G | | 20 | 90 | 71.5 | 61 | 11 | 20 | 10 | 7 | 29 | 25 | ±0.5 | 0.6 | M8 | 8 | 12800 | 6650 | 350 |
| | 205G | | 25 | 96 | 76 | 64 | | | | 7.5 | 30.5 | 27 | | | M10 | 17 | 14000 | 7880 | 430 |
| | 206G | | 30 | 113 | 90.5 | 76 | 12 | 22.5 | 12 | 8 | 34 | 30 | | | | | 19500 | 11200 | 560 |



| Part Number | | d |
|-------------|-------------|----|
| Code | No. | |
| BDV | 201G | 12 |
| | 202G | 15 |

BDV — 201G



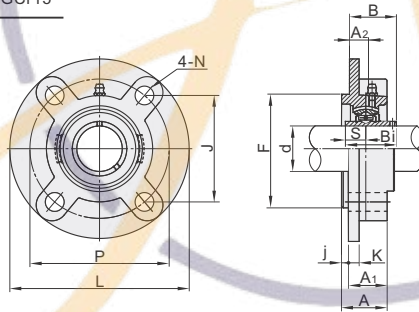
| Discount price | |
|----------------|----------------------|
| Per | Price |
| 1~9 | 100% |
| 10~ | Additional quotation |



| Delivery | |
|----------|--|
| 6 | |

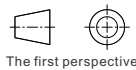
With Pilot

| Code | Material | |
|------------|-------------------------|---------|
| | Housing | Bearing |
| BDW | HT200 Gray Cast Iron | GCr15 |



Inventory

Accuracy: JIS B 1558
JIS B 1514
JIS B 1559
(GB/T 7809-1995)



| Part Number | Code | No. | d | L | P | A ₂ | A ₁ | A | j | K | N | J | F | S | B | Bi | Mounting Hole Size (Δ) Tolerance | Mounting Hole Position Deviation x | Bolt | Tightening Torque (N·m) | Basic Load Rating(N) | | Mass (g) | |
|-------------|------------|-----|----|-----|-----|----------------|----------------|------|----|----|----|------|-----|------|------|------|----------------------------------|------------------------------------|------|-------------------------|----------------------|------------|----------|------|
| | | | | | | | | | | | | | | | | | | | | | Cr(Dynamic) | Co(Static) | | |
| BDW | 202 | | 15 | | | | | | | | | | | | | | | | | | | | | |
| | 203 | | 17 | 100 | 78 | | 20.5 | 25.5 | 5 | 7 | | 55.1 | 62 | 12.7 | 28.3 | 31 | | | | | 12800 | 6650 | 780 | |
| | 204 | | 20 | | | 10 | | | | | 12 | | | | | | | | 0.6 | M10 | 17 | | | |
| | 205 | | 25 | 115 | 90 | | 21 | 27 | 6 | | | 63.6 | 70 | 14.3 | 29.7 | 34 | | | | | | 14000 | 7880 | 950 |
| | 206 | | 30 | 125 | 100 | | 23 | 31 | 8 | 8 | | 70.7 | 80 | 15.9 | 32.2 | 38.1 | ±0.5 | | | | | 19500 | 11200 | 1400 |
| | 207 | | 35 | 135 | 110 | | 34 | 40 | 8 | | | 77.8 | 90 | 17.5 | 36.4 | 42.9 | | | | | | 25700 | 15200 | 1700 |
| | 208 | | 40 | 145 | 120 | 11 | 26 | 36 | 10 | 9 | 14 | 84.8 | 100 | | 41.2 | | | | | | | 29600 | 18200 | 2000 |
| | 209 | | 45 | 160 | 132 | | 38 | 45 | 10 | | | 93.3 | 105 | 19 | 40.2 | 49.2 | | | 0.8 | M12 | 29 | 31850 | 20800 | 2800 |
| | 210 | | 50 | 165 | 138 | 10 | 28 | 40 | 12 | 14 | 16 | 97.6 | 110 | | 42.6 | 51.6 | | | | | | 35100 | 23200 | 3000 |



| Part Number | | d |
|-------------|------------|----|
| Code | No. | |
| BDW | 202 | 15 |
| | 203 | 17 |

BDW — 202



| Discount price | |
|----------------|----------------------|
| Per | Price |
| 1~9 | 100% |
| 10~ | Additional quotation |



| Delivery | |
|----------|--|
| 6 | |

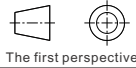
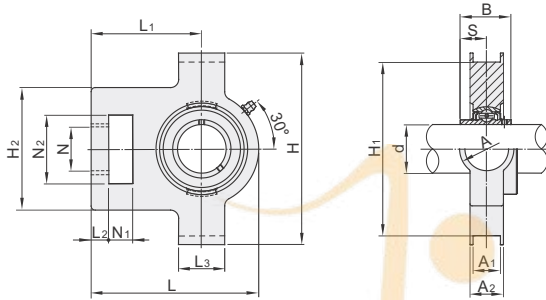
Pillow Block Units ◀ Take-Up Cast Housing

| Code | Material | |
|------|-------------------------|---------|
| | Housing | Bearing |
| BDX | HT200 Gray Cast Iron | GCr15 |



Inventory

Accuracy: JIS B 1558
JIS B 1514
JIS B 1559
(GB/T 7809-1995)



The first perspective

| Part Number | | d | N ₁ | L ₂ | H ₂ | N ₂ | N | L ₃ | A ₁ | H ₁ | H | L | A | A ₂ | L ₁ | B | S | Mounting Hole Size (Δ) Tolerance | Mounting Hole Position Deviation x | Basic Load Rating(N) | | Mass (g) | |
|-------------|-----|----|----------------|----------------|----------------|----------------|----|----------------|----------------|----------------|-----|-----|-----|----------------|----------------|----|------|----------------------------------|------------------------------------|----------------------|-------------|----------|------|
| Code | No. | | | | | | | | | | | | | | | | | | | Cr(Dynamic) | CoR(Static) | | |
| BDX | 201 | 12 | | | | | | | | | | | | | | | | | | | | 790 | |
| | 202 | 15 | | | | | | | | | | | | | | | | | | | | 780 | |
| | 203 | 17 | | | 10 | 51 | 32 | 19 | 51 | | 76 | 89 | 94 | 32 | 21 | 61 | 31 | 12.7 | | 0.6 | 12800 | 6650 | 760 |
| | 204 | 20 | 16 | | | | | | 12 | | | | | | | | | | | | | 740 | |
| | 205 | 25 | | | | | | | | | | | 97 | | 24 | 62 | 34 | 14.3 | | | 14000 | 7880 | 830 |
| | 206 | 30 | | | | 56 | | | 57 | | | | 113 | 37 | 28 | 70 | 38.1 | 15.9 | ±0.5 | | 19500 | 11200 | 1300 |
| | 207 | 35 | | 13 | 64 | | 37 | 22 | 64 | | 89 | 102 | 129 | | 30 | 78 | 42.9 | 17.5 | | | 25700 | 15200 | 1600 |
| | 208 | 40 | | | | | | | | | | | 114 | | 33 | 88 | | | | | 29600 | 18200 | |
| | 209 | 45 | 19 | 16 | 83 | | 49 | 29 | 83 | 16 | 102 | | 144 | 49 | 35 | 87 | 49.2 | 19 | | 0.8 | 31850 | 20800 | 2400 |
| | 210 | 50 | | | | | | | 86 | | | | 117 | | 37 | 90 | 51.6 | | | | 35100 | 23200 | 2500 |



| Part Number | | d |
|-------------|-----|----|
| Code | No. | |
| BDX | 201 | 12 |
| | 202 | 15 |

BDX-201



| Discount price | | |
|----------------|------|----------------------|
| Per | 1~9 | 10~ |
| Price | 100% | Additional quotation |



| Delivery | |
|----------|--------|
| Days | Number |
| | 6 |

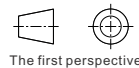
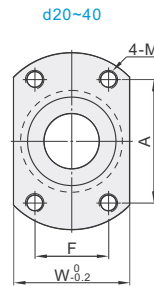
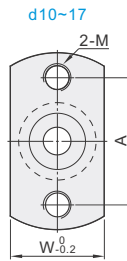
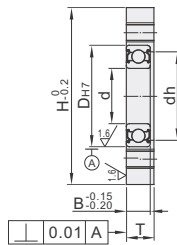
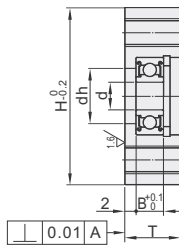
| Code | Type | Material | | | Surface Treatment |
|-------|---------------------|-----------------|---------|----------------|-------------------|
| | | Bearings | Housing | Retaining Ring | Housing |
| BFC01 | With Retaining Ring | Steel | S45C | Spring Steel | Black Oxide |
| BFC06 | | Stainless Steel | SUS304 | SUS304 | — |
| BFC11 | No Retaining Ring | Steel | S45C | — | Black Oxide |



□ Bearing Accuracy: GB / T 307.1 Class 0
Equivalent To: JIS B1514 Class 0

With Retaining Ring
BFC01
BFC06

No Retaining Ring
BFC11



| Code | Part Number | | d | D _{H7} | B | H | W | T | | dh | A | F | M (Coarse) | | | | | | | | |
|---------------------------------------|--------------|------------------------------------|----|-----------------|-----|----|----|---------------------|-------------------|----|----|---|---------------|----|----|----|----|----|----|----|----|
| | Bearings No. | Seal | | | | | | With Retaining Ring | No Retaining Ring | | | | | | | | | | | | |
| With Retaining Ring BFC01 BFC06 | 6000 | ZZ Double Shielded | 10 | 26 | 8 | 44 | 31 | 13 | 10 | 22 | 35 | — | M5 | | | | | | | | |
| | 6200 | | | 30 | | | | | | | | | | 9 | 48 | 35 | 14 | 11 | 24 | 39 | |
| | 6901 | | | 24 | | | | | | | | | | 6 | 42 | 28 | 11 | 8 | 21 | 33 | |
| | 6001 | | | 28 | | | | | | | | | | 8 | 46 | 33 | 13 | 10 | 24 | 37 | |
| | 6201 | | 32 | 10 | 50 | 37 | 15 | 12 | 26 | 41 | | | | | | | | | | | |
| | 6902 | | 28 | 7 | 49 | 34 | 12 | 9 | 25 | 39 | | | | | | | | | | | |
| | 6002 | | 32 | 9 | 53 | 37 | 14 | 11 | 28 | 43 | | | | | | | | | | | |
| | 6202 | | 35 | 11 | 56 | 41 | 17 | 13 | 29 | 46 | | | | | | | | | | | |
| | 6903 | | 30 | 7 | 51 | 35 | 12 | 9 | 27 | 41 | | | | | | | | | | | |
| | 6003 | | 35 | 10 | 56 | 41 | 16 | 12 | 31 | 46 | | | | | | | | | | | |
| No Retaining Ring BFC11 | 6203 | ※ DD Contact Sealed Rubber Seal | 17 | 40 | 12 | 61 | 47 | 18 | 14 | 34 | 51 | — | — | | | | | | | | |
| | 6904 | | | 37 | | | | | | | | | | 9 | 64 | 44 | 15 | 11 | 34 | 45 | 24 |
| | 6004 | | | 42 | | | | | | | | | | 12 | 69 | 51 | 18 | 14 | 36 | 46 | 32 |
| | 6204 | | | 47 | | | | | | | | | | 14 | 74 | 55 | 20 | 16 | 40 | 50 | 34 |
| | 6005 | | 47 | 12 | 80 | 55 | 18 | 14 | 41 | 52 | 36 | | | | | | | | | | |
| | 6205 | | 52 | 15 | 85 | 61 | 22 | 17 | 45 | 56 | 39 | | | | | | | | | | |
| | 6006 | | 55 | 13 | 88 | 63 | 20 | 15 | 48 | 59 | 40 | | | | | | | | | | |
| | 6206 | | 62 | 16 | 95 | 71 | 23 | 18 | 55 | 65 | 44 | | | | | | | | | | |
| | 6007 | | 35 | 14 | 95 | 71 | 21 | 16 | 55 | 65 | 44 | | | | | | | | | | |
| | 6008 | | 40 | 15 | 101 | 79 | 23 | 17 | 60 | 65 | 54 | | | | | | | | | | |

※ Bearings with Rubber Seals DD are all made of Steel.

□ Please pay attention to olodge the retaining ring, Retaining size refer to P845.



| Part Number | | Seal | d |
|-------------|--------------|------|----|
| Code | Bearings No. | | |
| BFC01 | 6000 | ZZ | 10 |
| BFC06 | 6200 | DD | |

BFC06—6200ZZ

Optional Processing

| Part Number | | Seal | Optional Processing Code |
|-------------|--------------|------|--------------------------|
| Code | Bearings No. | | |
| BFC01 | 6000 | ZZ | NA |
| BFC06 | 6200 | DD | |

BFC06—6200DD—NA



| Alteration Code | Bearings, Retaining Rings Not Assembled |
|-----------------|--|
| Spec. | Bearings and retaining rings are shipped unassembled to the housing. |

Discount price
Per 1~9 10~
Price 100% Additional quotation

Delivery
10

Bearings with Housings

Standard Flanged With Retaining Ring

| Type | | | Material | | | Surface Treatment | |
|---------------|----------------|-----------------|----------|---------|----------------|----------------------------|--|
| Round Flanged | Square Flanged | Compact Flanged | Bearings | Housing | Retaining Ring | Housing | |
| BFF21 | BFF31 | BFF41 | Steel | S45C | Spring Steel | Black Oxide | |
| BFF22 | BFF32 | BFF42 | | | | Electroless Nickel Plating | |
| BFF23 | BFF33 | BFF43 | | A2017 | SUS304 | Clear Anodize | |

□ Bearing Accuracy: GB / T 307.1 Class 0
Equivalent To: JIS B1514 Class 0

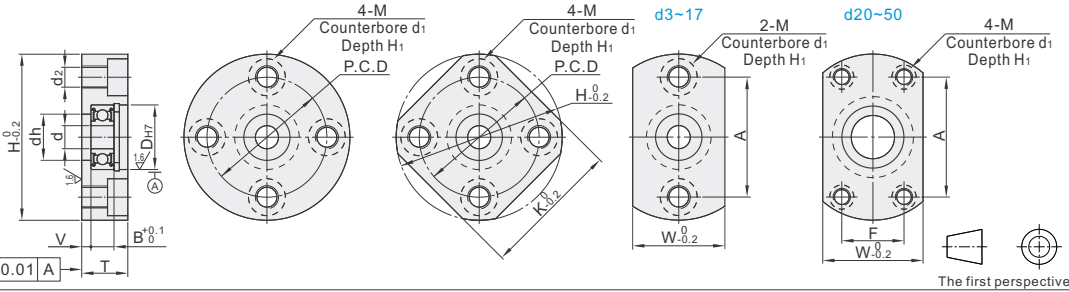


Inventory Self-made

Round Flanged
BFF21/22/23

Square Flanged
BFF31/32/33

Compact Flanged
BFF41/42/43



The first perspective

| Part Number | | | d | Dh7 | B | H | W | T | V | dh | P.C.D | K | A | F | M(Coarse) (d2) | d1 | H1 | | | | |
|---------------|--------------|--------------------------------------|----|-----|-----|----|----|----|-----|-----|-------|----|----|---|-------------------|------|------|-------------|---|-----|--|
| Code | Bearings No. | Seal | | | | | | | | | | | | | | | | | | | |
| Round Flanged | 623 | | 3 | 10 | 4 | 33 | 16 | 9 | | 7 | 24 | 27 | 24 | | M4 (3.3) | 6.5 | 3.6 | | | | |
| | 624 | | 4 | 13 | | 35 | 18 | | | 9 | 28 | 28 | | | | | | | | | |
| | 605 | | 5 | 14 | 5 | 36 | 20 | 10 | | 10 | 26 | 30 | 26 | | | | | | | | |
| | 625 | | | 16 | | 38 | 22 | | 12 | 28 | 31 | 28 | | | | | | | | | |
| | 606 | | 6 | 17 | | 39 | 23 | | | 13 | 29 | 32 | 29 | | | | | | | | |
| | 626 | | | 19 | 6 | 41 | 25 | 11 | | 15 | 31 | 34 | 31 | | | | | | | | |
| | 698 | | 8 | 22 | | 45 | 29 | 12 | | 18 | 35 | 36 | 35 | | | | | | | | |
| | 608 | | | 24 | 8 | 47 | 32 | 13 | | 20 | 37 | 37 | 37 | | | | | | | | |
| | 6800 | | 10 | 19 | 5 | 41 | 25 | 10 | | 15 | 31 | 34 | 31 | | | | | M5 (4.3) | 8 | 4.6 | |
| | 6900 | | | 22 | 6 | 45 | 29 | 11 | | 19 | 35 | 36 | 35 | | | | | | | | |
| | 6000 | | 12 | 26 | 8 | 50 | 34 | 13 | | 22 | 40 | 39 | 40 | | | | | | | | |
| | 6200 | | | 30 | 9 | 54 | 38 | 14 | | 24 | 44 | 42 | 44 | | | | | | | | |
| 6801 | | 15 | 21 | 5 | 44 | 29 | 10 | | 17 | 34 | 35 | 34 | | | | | | | | | |
| 6901 | | | 24 | 6 | 48 | 31 | 11 | | 21 | 38 | 38 | 38 | | | | | | | | | |
| BFF21 | 6001 | ZZ Double Shielded | 28 | 8 | 52 | 36 | 13 | | 24 | 42 | 40 | 42 | | | | | | | | | |
| BFF22 | 6201 | | 32 | 10 | 56 | 40 | 15 | | 26 | 46 | 43 | 46 | | | | | | | | | |
| BFF23 | 6802 | *DD Contact Sealed Rubber Seal | 24 | 5 | 47 | 32 | 10 | | 20 | 37 | 37 | 37 | | | | | | | | | |
| | 6902 | | 28 | 7 | 57 | 37 | 12 | 2 | 25 | 45 | 45 | 45 | | | | | | | | | |
| | 6002 | ZZ Double Shielded | 32 | 9 | 60 | 40 | 14 | | 28 | 48 | 46 | 48 | | | | | | | | | |
| | 6202 | | 35 | 11 | 64 | 44 | 17 | | 29 | 52 | 49 | 52 | | | | | | | | | |
| | 6903 | *DD Contact Sealed Rubber Seal | 30 | 7 | 60 | 38 | 12 | | 27 | 48 | 46 | 48 | | | M6 (5.2) | 9.5 | 5.6 | | | | |
| | 6003 | | 35 | 10 | 66 | 44 | 16 | | 31 | 54 | 50 | 54 | | | | | | | | | |
| | 6203 | ZZ Double Shielded | 40 | 12 | 72 | 50 | 18 | | 34 | 60 | 54 | 60 | | | | | | | | | |
| | 6804 | | 32 | 7 | 60 | 40 | 12 | | 28 | 48 | 46 | 38 | 29 | | | | | | | | |
| | 6904 | ZZ Double Shielded | 37 | 9 | 69 | 47 | 15 | | 34 | 56 | 54 | 51 | 24 | | | | | | | | |
| | 6004 | | 42 | 12 | 77 | 54 | 18 | | 36 | 64 | 59 | 56 | 32 | | | | | | | | |
| | 6204 | ZZ Double Shielded | 47 | 14 | 81 | 58 | 20 | | 40 | 68 | 62 | 59 | 34 | | M8 (6.8) | 11 | 6.7 | | | | |
| | 6805 | | 37 | 7 | 69 | 47 | 13 | | 34 | 56 | 54 | 51 | 24 | | | | | | | | |
| | 6905 | ZZ Double Shielded | 42 | 9 | 77 | 54 | 15 | | 36 | 64 | 59 | 56 | 32 | | | | | | | | |
| | 6005 | | 47 | 12 | 88 | 58 | 18 | | 41 | 72 | 67 | 63 | 36 | | M10 (8.5) | 14 | 8.8 | | | | |
| | 6205 | 52 | 15 | 94 | 64 | 22 | | 45 | 78 | 72 | 68 | 39 | | | | | | | | | |
| | 6806 | ZZ Double Shielded | 42 | 7 | 77 | 54 | 13 | | 36 | 64 | 59 | 56 | 32 | | M8(6.8) | 11 | 6.7 | | | | |
| | 6906 | | 47 | 9 | 88 | 58 | 15 | | 41 | 72 | 67 | 63 | 36 | | | | | | | | |
| | 6006 | ZZ Double Shielded | 55 | 13 | 96 | 66 | 20 | | 48 | 80 | 73 | 70 | 40 | | M10 (8.5) | 14 | 8.8 | | | | |
| | 6206 | | 16 | 104 | 74 | 23 | | 77 | | | | | | | | | | | | | |
| | 6007 | ZZ Double Shielded | 62 | 14 | 104 | 74 | 21 | | 55 | 88 | 79 | 75 | 44 | | | | | | | | |
| | 6207 | | 72 | 17 | 126 | 88 | 26 | 3 | 64 | 105 | 95 | 92 | 51 | | M12(10.5) | 17.5 | 11.2 | | | | |
| | 6008 | 68 | 15 | 114 | 82 | 23 | 2 | 60 | 96 | 86 | 80 | 54 | | | | | | | | | |
| | 6208 | ZZ Double Shielded | 80 | 18 | 134 | 96 | 27 | | 74 | 113 | 102 | 98 | 56 | | M12 (10.5) | 17.5 | 11.2 | | | | |
| | 6010 | | 80 | 16 | 134 | 96 | 25 | 3 | 74 | 113 | 102 | 98 | 56 | | | | | | | | |
| | 6210 | 90 | 20 | 147 | 110 | 31 | 4 | 83 | 126 | 104 | 72 | | | | | | | | | | |

* Bearings with Rubber Seals DD are all made of Steel.

□ Please pay attention to the retaining ring, Retaining size refer to P845.



Discount price
Per 1-9 10-
Price 100% Additional quotation



Delivery
10

□ Optional Processing

| Part Number | | | Part Number | | | Optional Processing |
|-------------|--------------|------|-------------|--------------|------|---------------------|
| Code | Bearings No. | Seal | Code | Bearings No. | Seal | Code |
| BFF21 | 6901 | ZZ | BFF21 | 6901 | ZZ | NA |
| BFF22 | 6001 | QD | BFF22 | 6001 | QD | NA |

BFF22 — 6001DD

BFF22 — 6001DD — NA



Optional Processing

| Alteration | Bearings, Retaining Rings Not Assembled |
|------------|--|
| Code | NA |
| Spec. | Bearings and retaining rings are shipped unassembled to the housing. |



Please order as shown

Bearings with Housings

Pilot Flanged With Retaining Ring



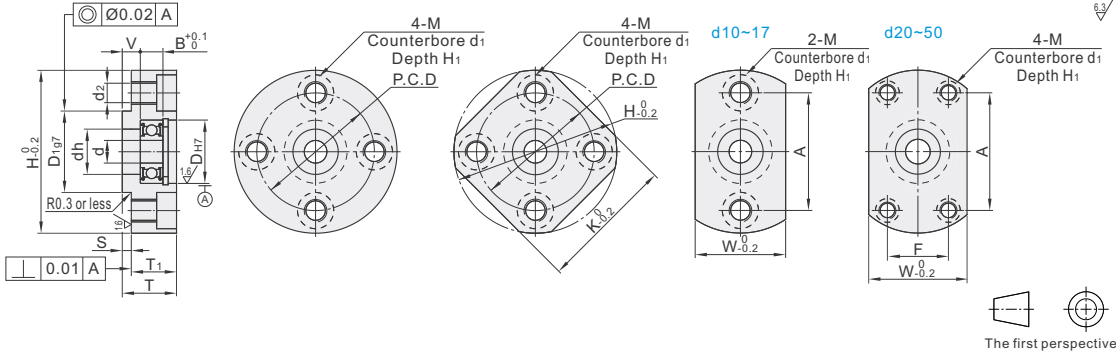
| Type | | | Material | | | Surface Treatment | |
|---------------|----------------|-----------------|----------|---------|----------------|----------------------------|--|
| Round Flanged | Square Flanged | Compact Flanged | Bearings | Housing | Retaining Ring | Housing | |
| BFJ01 | BFJ11 | BFJ21 | Steel | S45C | Spring Steel | Black Oxide | |
| BFJ02 | BFJ12 | BFJ22 | | A2017 | SUS304 | Electroless Nickel Plating | |
| BFJ03 | BFJ13 | BFJ23 | | | | Clear Anodize | |

Bearing Accuracy: GB / T 307.1 Class 0
 Equivalent To: JIS B1514 Class 0

Round Flanged
BFJ01/02/03

Square Flanged
BFJ11/12/13

Compact Flanged
BFJ21/22/23



| Part Number | | | d | D _{H7} | B | H | W | T | T ₁ | S | V | dh | D _{1g7} | P.C.D. | K | A | F | M(Coarse) (d ₂) | d ₁ | H ₁ | | |
|-----------------|------|--------------------|----|-----------------|-------------|----|-----|----|----------------|----|---|----|------------------|------------------|------------------|----------|----|--------------------------------|----------------|----------------|------|------|
| Round Flanged | 6200 | | 10 | 30 | +0.021 | 9 | 54 | 38 | 14 | 12 | | 24 | 36 | 44 | 42 | 44 | | M5 (4.3) | 8 | 4.6 | | |
| | 6001 | | 12 | 28 | | 8 | 52 | 36 | 13 | 11 | | 24 | 34 | 42 | 40 | 42 | | | | | | |
| | 6201 | | 12 | 32 | | 10 | 56 | 40 | 15 | 13 | | 26 | 38 | 46 | 43 | 46 | | | | | | |
| | 6002 | | 15 | 32 | | 9 | 60 | 40 | 14 | 12 | | 28 | 38 | 48 | 46 | 48 | | | | | | |
| | 6003 | | 17 | 35 | | 10 | 66 | 44 | 16 | 14 | | 31 | 42 | 54 | 50 | 54 | | M6 (5.2) | 9.5 | 5.6 | | |
| | 6203 | ZZ | 17 | 40 | | 12 | 72 | 50 | 18 | 16 | | 34 | 48 | -0.009 -0.034 | 60 | 54 | 60 | | | | | |
| Square Flanged | 6804 | Double Shielded | 20 | 32 | +0.025 | 7 | 60 | 40 | 12 | 10 | | 28 | 38 | 48 | 46 | 38 | 29 | | | | | |
| | 6904 | Double Shielded | 20 | 37 | | 9 | 69 | 47 | 15 | 13 | | 34 | 45 | 56 | 54 | 51 | 24 | | | | | |
| | 6004 | × DD | 25 | 42 | | 12 | 77 | 54 | 18 | 16 | 2 | 2 | 36 | 50 | 64 | 59 | 56 | 32 | M8 (6.8) | 11 | 6.7 | |
| | 6905 | Contact Sealed | 25 | 42 | | 9 | 77 | 54 | 15 | 13 | | 36 | 50 | 64 | 59 | 56 | 32 | | | | | |
| Compact Flanged | 6005 | Rubber Seal | 25 | 47 | | 12 | 88 | 58 | 18 | 16 | | 41 | 54 | 72 | 67 | 63 | 36 | | | | | |
| | 6205 | Rubber Seal | 25 | 52 | +0.030 0 | 15 | 94 | 64 | 22 | 20 | | 45 | 60 | 78 | 72 | 68 | 39 | | | | | |
| | 6906 | Rubber Seal | 25 | 47 | +0.025 0 | 9 | 88 | 58 | 15 | 13 | | 41 | 54 | 72 | 67 | 63 | 36 | | | | | |
| | 6006 | Rubber Seal | 30 | 55 | | 13 | 96 | 66 | 20 | 18 | | 48 | 62 | -0.010 -0.040 | 80 | 73 | 70 | 40 | M10 (8.5) | 14 | 8.8 | |
| | 6206 | Rubber Seal | 30 | 62 | | 16 | 104 | 74 | 23 | 21 | | 55 | 70 | 88 | 79 | 77 75 | 44 | | | | | |
| | 6007 | Rubber Seal | 35 | 62 | | 14 | 104 | 74 | 21 | 19 | | 55 | 70 | 88 | 79 | 77 75 | 44 | | | | | |
| Compact Flanged | 6008 | Rubber Seal | 40 | 68 | +0.030 0 | 15 | 114 | 82 | 23 | 21 | | 60 | 78 | 96 | 86 | 80 | 54 | | | | | |
| | 6010 | ZZ Double Shielded | 50 | 80 | | 16 | 134 | 96 | 25 | 22 | 3 | 3 | 74 | 92 | -0.012 -0.047 | 113 | — | 98 | 56 | M12 (10.5) | 17.5 | 11.2 |

※ Bearings with Rubber Seals DD are all made of Steel.

ⓘ Please pay attention to olodge the retaining ring, Retaining size refer to P845.

Optional Processing

| Part Number | | | Optional Processing | | |
|-------------|--------------|------|---------------------|--------------|------|
| Code | Bearings No. | Seal | Code | Bearings No. | Seal |
| BFJ21 | 6200 | ZZ | BFJ21 | 6200 | ZZ |
| BFJ22 | 6201 | DD | BFJ22 | 6201 | DD |

BFJ22 — 6201ZZ BFJ22 — 6201ZZ — NA

| Alteration | Bearings, Retaining Rings Not Assembled |
|------------|--|
| Code | NA |
| Spec. | Bearings and retaining rings are shipped unassembled to the housing. |

Discount price
 Per 1~9 10~
 Price 100% Additional quotation

Delivery
 10

Short Double Bearings

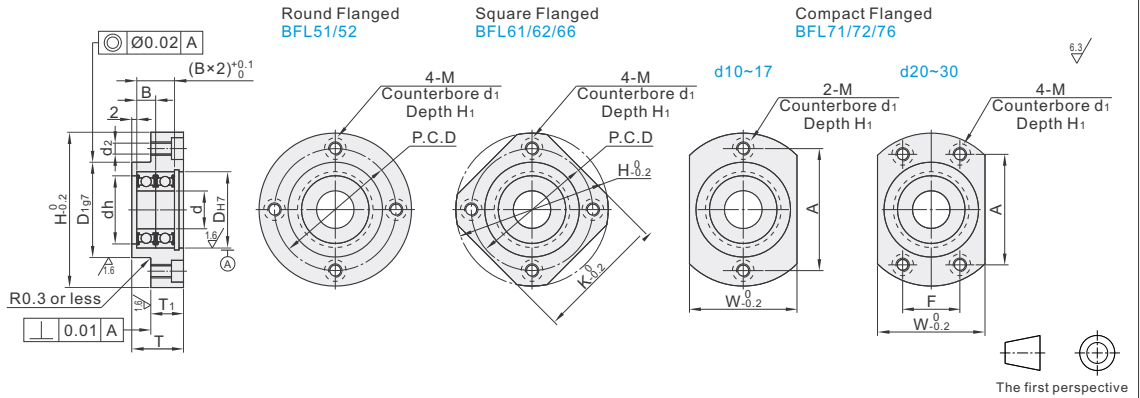
With Retaining Ring

Bearings with Housings

| Code | Type | Material | | | Surface Treatment |
|-------|-----------------|-----------------|---------|----------------|----------------------------|
| | | Bearings | Housing | Retaining Ring | Housing |
| BFL51 | Round Flanged | Steel | S45C | Spring Steel | Black Oxide |
| BFL52 | Flanged | Steel | S45C | SUS304 | Electroless Nickel Plating |
| BFL61 | Square Flanged | Steel | S45C | Spring Steel | Black Oxide |
| BFL62 | Flanged | Steel | S45C | SUS304 | Electroless Nickel Plating |
| BFL66 | Flanged | Stainless Steel | SUS304 | SUS304 | — |
| BFL71 | Compact Flanged | Steel | S45C | Spring Steel | Black Oxide |
| BFL72 | Flanged | Steel | S45C | SUS304 | Electroless Nickel Plating |
| BFL76 | Flanged | Stainless Steel | SUS304 | SUS304 | — |



Ⓜ Bearing Accuracy: GB / T 307.1 Class 0
Equivalent To: JIS B 1514 Class 0



| Part Number | | | d | D _{H7} | B | H | W | T | T ₁ | d _h | D _{1g7} | P.C.D | K | A | F | M (Coarse) (d ₂) | d ₁ | H ₁ | | |
|--|--------------|-----------------------|----|-----------------|-------------|----|----|----|----------------|----------------|------------------|------------------|------------------|----|----|------------------------------|----------------|----------------|-----|-----|
| Code | Bearings No. | Seal | | | | | | | | | | | | | | | | | | |
| Round Flanged BFL51 BFL52 | 6900 | | 10 | 22 | 6 | 45 | 29 | 17 | 11 | 19 | 27 | -0.007 -0.028 | 35 | 36 | 35 | | | | | |
| | 6000 | | | 26 | 8 | 50 | 34 | 21 | 13 | 22 | 32 | -0.009 -0.034 | 40 | 39 | 40 | | M5 (4.3) | 8 | 4.6 | |
| | 6901 | | 12 | 24 | +0.021 0 | 6 | 48 | 31 | 17 | 11 | 21 | 30 | -0.007 -0.028 | 38 | 38 | 38 | | | | |
| | 6001 | ZZ Double Shielded | | 28 | 8 | 52 | 36 | 21 | 13 | 24 | 34 | | 42 | 40 | 42 | | | | | |
| Square Flanged BFL61 BFL62 BFL66 | 6902 | | 15 | 32 | +0.025 0 | 9 | 60 | 40 | 23 | 14 | 28 | 38 | | 45 | 45 | 45 | | | | |
| | 6002 | | | 30 | +0.021 0 | 7 | | 38 | 19 | 12 | 27 | 36 | -0.009 -0.034 | 48 | 46 | 48 | | M6 (5.2) | 9.5 | 5.6 |
| | 6903 | ※DD Contact Sealed | 17 | 35 | | 10 | 66 | 44 | 26 | 16 | 31 | 42 | | 54 | 50 | 54 | | | | |
| Compact Flanged BFL71 BFL72 BFL76 | 6904 | | 20 | 37 | | 9 | 69 | 47 | 24 | 15 | 34 | 45 | | 56 | 54 | 51 | 24 | M8 (6.8) | 11 | 6.7 |
| | 6004 | | | 42 | +0.025 0 | 7 | 77 | 54 | | | 36 | 50 | | 64 | 59 | 56 | 32 | | | |
| | 6005 | | 25 | 47 | | 12 | 88 | 58 | 30 | 18 | 41 | 54 | | 72 | 67 | 63 | 36 | M10 (8.5) | 14 | 8.8 |
| | 6006 | | | 55 | +0.030 0 | 13 | 96 | 66 | 33 | 20 | 48 | 62 | -0.010 -0.040 | 80 | 73 | 70 | 40 | | | |

※ Bearings with Rubber Seals DD are all made of Steel.

Ⓜ Please pay attention to oldge the retaining ring, Retaining size refer to P845.



| Code | Part Number | Bearings No. | Seal |
|----------------|-------------|--------------|------|
| BFL51 | 6000 | ZZ | |
| BFL52 | 6901 | DD | |
| BFL52 — 6901ZZ | | | |

Optional Processing

| Code | Part Number | Bearings No. | Seal | Optional Processing Code |
|---------------------|-------------|--------------|------|--------------------------|
| BFL51 | 6000 | ZZ | | NA |
| BFL52 | 6901 | DD | | NA |
| BFL52 — 6901ZZ — NA | | | | |



| Alteration | Bearings, Retaining Rings Not Assembled |
|------------|--|
| Code | NA |
| Spec. | Bearings and retaining rings are shipped unassembled to the housing. |



| Discount price |
|----------------------------------|
| Per 1~9 10~ |
| Price 100% Additional quotation. |



| Delivery |
|----------|
| 10 |

Double Bearings ▶

With Retaining Ring, L Selectable

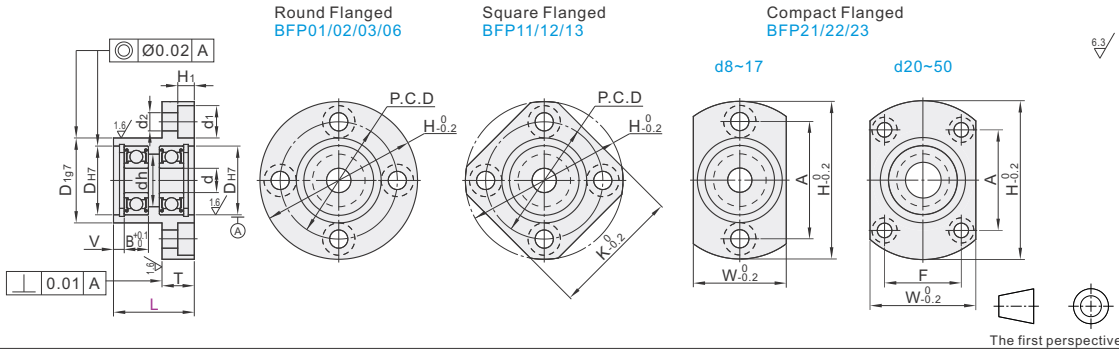
Bearings with Housings



Inventory Self-made

| Type | | | Material | | | Surface Treatment |
|---------------|----------------|-----------------|-----------------|---------|----------------|----------------------------|
| Round Flanged | Square Flanged | Compact Flanged | Bearings | Housing | Retaining Ring | Housing |
| BFP01 | BFP11 | BFP21 | Steel | S45C | Spring Steel | Black Oxide |
| BFP02 | BFP12 | BFP22 | | A2017 | SUS304 | Electroless Nickel Plating |
| BFP03 | BFP13 | BFP23 | Stainless Steel | SUS304 | | Clear Anodize |
| BFP06 | — | — | | | | |

□ Bearing Accuracy: GB / T 307.1 Class 0
Equivalent To: JIS B1514 Class 0



| Code | Part Number | | L Selection | d | DH7 | B | V | H | W | T | dh | D197 | P.C.D | K | A | F | d1 | d2 | H1 | |
|-----------------|--------------|--------------------------------|-------------|----|-----|------|------|-----|-----|----|----|------|------------------|-----|----|-----|-----|------|------|------|
| | Bearings No. | Seal | | | | | | | | | | | | | | | | | | |
| Round Flanged | 698 | | 25 35 | 8 | 19 | 6 | 2.65 | 41 | 25 | | 15 | 24 | 31 | 34 | 31 | | | | | |
| | 628 | | 25 35 | | 24 | 8 | 2.85 | 47 | 32 | | 20 | 30 | -0.007 -0.028 | 37 | 37 | 37 | | | | |
| | 6800 | | 20 30 | 10 | 19 | 5 | | 41 | 25 | | 15 | 24 | 31 | 34 | 31 | | | | | |
| | 6900 | | 25 40 | | 22 | 6 | 2.65 | 45 | 29 | | 19 | 27 | 35 | 36 | 35 | | | | | |
| | 6000 | | 25 40 | 10 | 26 | 8 | | 50 | 34 | | 22 | 32 | -0.009 -0.034 | 40 | 39 | 40 | | 8 | 4.7 | 4.3 |
| | 6200 | | 30 40 | | 30 | 9 | | 54 | 38 | | 24 | 36 | 44 | 42 | 44 | | | | | |
| | 6801 | | 25 35 | 12 | 21 | 5 | | 44 | 29 | | 17 | 26 | -0.007 -0.028 | 34 | 35 | 34 | | | | |
| | 6001 | | 25 40 | | 28 | 8 | 2.85 | 52 | 36 | | 24 | 34 | 42 | 40 | 42 | | | | | |
| | BFP01 | ZZ | 30 40 | 15 | 32 | 10 | | 56 | 40 | | 26 | 38 | 46 | 43 | 46 | | | | | |
| | BFP02 | Double Shielded | 25 50 | | 28 | 7 | | 57 | 37 | | 25 | 35 | 45 | 45 | 45 | | | | | |
| | BFP03 | | 30 50 | 15 | 32 | 9 | | 60 | 40 | | 28 | 38 | 48 | 46 | 48 | | | | | |
| | BFP06 | ZZ | 35 50 | | 35 | 11 | 3.75 | 64 | 44 | | 29 | 42 | 52 | 49 | 52 | | | | | |
| Square Flanged | 6903 | Non-Contact Sealed Rubber Seal | 30 40 | 17 | 30 | 7 | 2.85 | 60 | 38 | 10 | 27 | 36 | -0.009 -0.034 | 48 | 46 | 48 | | 9.5 | 5.7 | 5.3 |
| | 6003 | | 35 50 | | 35 | 10 | 3.75 | 66 | 44 | | 31 | 42 | 54 | 50 | 54 | | | | | |
| | BFP11 | DD | 40 50 | 17 | 40 | 12 | 3.95 | 72 | 50 | | 34 | 48 | 60 | 54 | 60 | | | | | |
| | BFP12 | Contact Sealed | 35 50 | | 32 | 7 | | 60 | 40 | | 28 | 38 | 48 | 46 | 38 | 29 | | | | |
| BFP13 | | 35 50 | 20 | 37 | 9 | 3.75 | 69 | 47 | | 34 | 45 | 56 | 54 | 51 | 24 | | | | | |
| 6904 | Rubber Seal | 40 50 | | 42 | 12 | 3.95 | 77 | 54 | 11 | 36 | 50 | 64 | 59 | 56 | 32 | 11 | 6.8 | 6.3 | | |
| Compact Flanged | BFP21 | | 35 50 | 25 | 42 | 9 | | 77 | 54 | | 36 | 50 | 64 | 59 | 56 | 32 | | | | |
| | BFP22 | | 40 60 | | 47 | 12 | 3.95 | 88 | 58 | | 41 | 54 | 72 | 67 | 63 | 36 | | | | |
| | BFP23 | | 45 50 | 30 | 52 | 15 | 4.2 | 94 | 64 | | 45 | 60 | 78 | 72 | 68 | 39 | | | | |
| | 6906 | | 40 60 | | 47 | 9 | 3.95 | 88 | 58 | 13 | 41 | 54 | -0.010 -0.040 | 72 | 67 | 63 | 36 | 14 | 9.2 | 8.3 |
| | 6206 | | 50 60 | 35 | 62 | 16 | 4.2 | 104 | 74 | | 55 | 70 | 88 | 79 | 77 | 44 | | | | |
| | 6007 | | 50 60 | | 14 | | | | | | | | | | 75 | | | | | |
| | 6210 | ZZ | 90 | 50 | 90 | 20 | 7 | 147 | 110 | 20 | 83 | 106 | -0.012 -0.047 | 126 | — | 104 | 72 | 17.5 | 11.2 | 11.2 |

※ Bearings with Rubber Seals DD are all made of Steel.
□ Please pay attention to olodge the retaining ring, Retaining size refer to P845.

| Part Number | | | | Part Number | | | | Optional Processing Code |
|----------------------|--------------|------|-------|---------------------------|--------------|------|-------|--------------------------|
| Code | Bearings No. | Seal | L | Code | Bearings No. | Seal | L | |
| BFP01 | 6006 | ZZ | 40 60 | BFP01 | 6006 | ZZ | 40 60 | |
| BFP02 | 6206 | DD | 50 60 | BFP02 | 6206 | DD | 50 60 | NA |
| BFP02 — 6206DD — L60 | | | | BFP02 — 6206DD — L60 — NA | | | | |

| Alteration Code | Bearings, Retaining Rings Not Assembled |
|-----------------|--|
| Spec. | NA Bearings and retaining rings are shipped unassembled to the housing. |

Discount price
Per 1~19 20~
Price 100% Additional quotation

Delivery 10

Bearings with Housings

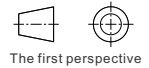
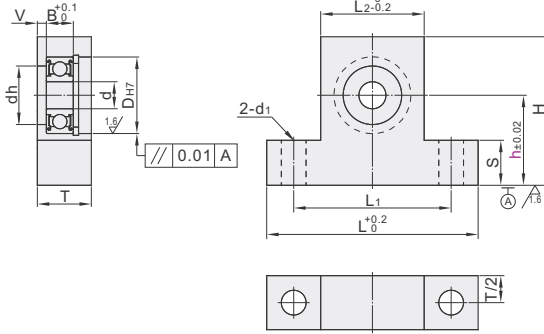
T-shaped h Selectable

| Code | Type | Material | | | Surface Treatment |
|-------|--------------|-----------------|---------|----------------|----------------------------|
| | | Bearings | Housing | Retaining Ring | Housing |
| BGJ21 | h Selectable | Steel | S45C | Spring Steel | Black Oxide |
| BGJ22 | | | | | Electroless Nickel Plating |
| BGJ23 | | Stainless Steel | A2017 | SUS304 | Clear Anodize |
| BGJ26 | | | | | — |



Inventory Self-made

○ Bearing Accuracy: GB / T 307.1 Class 0
Equivalent To : JIS B1514 Class 0



| Part Number | | | h Selection | d | D _{H7} | dh | B | V | H | L | L ₁ | L ₂ | T | S | d ₁ | | |
|----------------------------------|--------------|--------------------------------|-------------|----------------|-----------------|----------------------------------|----------------------------------|----|--------|--------|----------------|----------------|-----|-----|----------------|------|------|
| Code | Bearings No. | Seal | | | | | | | | | | | | | | | |
| BGJ21 BGJ22 BGJ23 BGJ26 | 606 | | 15 20 25 30 | 6 | 17 | ^{+0.018} / ₀ | 13 | 2 | h+12.8 | 47 | 35 | 23 | 12 | 9.8 | 5.3 | | |
| | 626 | | | | 19 | 15 | 6 | | h+13.8 | 49 | 37 | 25 | | | | | |
| | 698 | | | | | 16 | | | | | | | 11 | | | | |
| | 608 | | | | 8 | 22 | | | 18 | 7 | h+14.8 | 53 | 41 | | | 29 | 12 |
| | 628 | | | | | 24 | | | 20 | 8 | h+15.8 | 56 | 44 | | | 32 | 15 |
| | 6800 | | | | | 19 | | | 16 | 5 | h+13.8 | 50 | 38 | | | 26 | 10 |
| | 6900 | | | 10 | 22 | ^{+0.021} / ₀ | 19 | 6 | h+14.8 | 53 | 41 | 29 | 12 | | | | |
| | 6000 | | | | 26 | | 22 | 8 | h+16.8 | 58 | 46 | 34 | 15 | | | | |
| | 6200 | | | | 30 | | 24 | 9 | h+18.8 | 62 | 50 | 38 | 15 | | | | |
| | 6801 | | | 20 30 40 | 12 | 21 | | 18 | 5 | h+14.8 | 53 | 41 | 29 | 10 | | | |
| | 6901 | ZZ | | | | 24 | | 21 | 6 | h+15.8 | 56 | 44 | 32 | 12 | | | |
| | 6001 | Double Shielded | | | 28 | | 24 | 8 | h+17.8 | 60 | 48 | 36 | 15 | | | | |
| | 6201 | | | | 32 | ^{+0.025} / ₀ | 26 | 10 | h+19.8 | 64 | 52 | 40 | 16 | | | | |
| | 6802 | | | 25 30 40 50 | 15 | 24 | ^{+0.021} / ₀ | 21 | 5 | h+15.8 | 56 | 44 | 32 | 10 | | | |
| | 6902 | ※VV | | | | 28 | | 25 | 7 | h+17.8 | 60 | 48 | 36 | 12 | | | |
| | 6002 | Non-Contact Sealed Rubber Seal | | | 32 | ^{+0.025} / ₀ | 28 | 9 | h+19.8 | 68 | 54 | 40 | 15 | | | | |
| | 6202 | | | 30 35 40 50 60 | 17 | 35 | | 29 | 11 | h+21.8 | 72 | 58 | 44 | 16 | | | |
| | 6903 | DD | | | | 30 | ^{+0.021} / ₀ | 27 | 7 | h+18.8 | 64 | 52 | 38 | 13 | | | |
| | 6003 | | | | 20 | 37 | ^{+0.025} / ₀ | 34 | 9 | h+22.8 | 73 | 59 | 45 | 15 | | | |
| | 6203 | Contact Sealed Rubber Seal | | | | 42 | | 36 | 12 | h+24.8 | 82 | 66 | 50 | 19 | | | |
| | 6804 | | | 30 35 40 50 60 | 25 | 42 | | 40 | 14 | h+27.8 | 88 | 72 | 56 | 19 | | | |
| | 6004 | | | | | | 42 | | 39 | 9 | h+24.8 | 91 | 69 | 51 | 15 | | |
| | 6204 | | | | 30 | 47 | | 41 | 12 | h+27.8 | 96 | 76 | 56 | 19 | | | |
| | 6905 | | | | | 52 | ^{+0.030} / ₀ | 45 | 15 | h+30.8 | 102 | 82 | 62 | 22 | | | |
| | 6005 | | | 35 40 50 80 | 47 | 47 | ^{+0.025} / ₀ | 44 | 9 | h+27.8 | 96 | 76 | 56 | 16 | | | |
| | 6206 | | | | | | 62 | | 48 | 13 | h+31.8 | 104 | 84 | 64 | 19 | | |
| | 6006 | | | | 35 | 62 | ^{+0.030} / ₀ | 55 | 16 | h+35.8 | 112 | 92 | 72 | 22 | | | |
| | 6207 | | | 50 60 80 90 | | 62 | | 55 | 14 | | | | | 21 | | | |
| | 6007 | | | | | 62 | | 55 | 14 | | | | | 21 | | | |
| | 6208 | | | 60 80 100 | 40 | 80 | | 74 | 18 | 3 | h+49.8 | 160 | 130 | 100 | 27 | 24.8 | 12.8 |

※ No. 606 are not available for VV (Non-Contact Sealed Rubber Seal).

※ Bearings with Rubber Seals (VV and DD) are all made of steel.

□ Please pay attention to ologde the retaining ring, Retaining size refer to P845.

Optional Processing

| Part Number | Code | Bearings No. | Seal | h | Optional Processing Code |
|-------------|------|--------------|------|----------|--------------------------|
| BGJ21 | 6901 | ZZ | | 20 30 40 | NA |
| BGJ22 | 6001 | VV | | 20 30 40 | KC |
| BGJ21 | 6901 | ZZ | | 20 30 40 | NA |
| BGJ22 | 6001 | VV | | 20 30 40 | KC |

BGJ22—6001VV—h30 BGJ22—6001VV—h30—NA



Please order as shown



Optional Processing



Discount price
Per Price 1~19 20~
100% Additional quotation

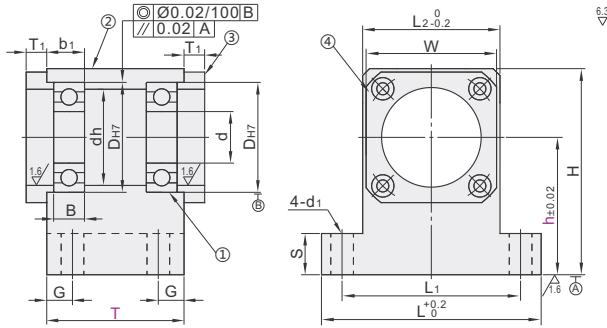


Delivery
10

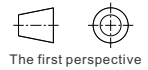
| Alteration | Bearings, Retaining Rings Not Assembled | C2 Chamfer |
|------------|---|------------|
| Code | NA | KC |
| Spec. | Bearings and retaining ring are shipped unassembled to the housing. | |

| Code | Type | ①Bearings | | ②Main Housing | | ③Outer Ring Cover | | ④ Outer Ring Cover Mounting Screws | |
|-------|----------------------------|-----------|----------|----------------------------|----------|-------------------|----------|------------------------------------|--|
| | | Material | Material | Surface Treatment | Material | Surface Treatment | Material | Surface Treatment | |
| BHR71 | Outer Ring Fixed, T-Shaped | SUJ2 | S45C | Black Oxide | SCM435 | Black Oxide | | | |
| BHR72 | | | | Electroless Nickel Plating | SUS304 | — | | | |

■ Bearings Accuracy: GB / T 307.1 Class 0
 Equivalent To: JIS B1514 Class 0



Inventory Self-made



The first perspective

| Part Number | | | T | h | d | DH7 | B | b1 | H | dh | L | L1 | L2 | S | G | W | d1 | T1 | | |
|-------------|--------------|--------------------------|----------|-------------|----|-----|---------------|---------------|----|--------|--------|-----|----|----|------|-----|----|-----|---|--|
| Code | Bearings No. | Seal | | | | | | | | | | | | | | | | | | |
| BHR71 | 6902 | | 30 50 | | 15 | 28 | $+0.021$ 0 | 7 | 9 | h+17.8 | 25 | 60 | 48 | 36 | | | 34 | | | |
| | 6002 | | | 25 30 40 50 | | 32 | $+0.025$ 0 | 9 | 11 | h+19.8 | 28 | 64 | 52 | 40 | | | 38 | | | |
| | 6903 | | 30 40 60 | | 17 | 30 | $+0.021$ 0 | 7 | 9 | h+18.8 | 27 | 62 | 50 | 38 | 11.8 | 7.5 | 36 | 6.3 | 6 | |
| | 6003 | ZZ Double Shielded | | | | 35 | | 10 | 12 | h+21.8 | 31 | 68 | 56 | 44 | | | 42 | | | |
| | BHR72 | 6904 | | 40 60 | | 20 | 37 | $+0.025$ 0 | 9 | 11 | h+22.8 | 34 | 76 | 61 | 46 | | | 44 | | |
| | 6004 | | 40 50 80 | 30 40 50 60 | 42 | | | | | h+24.8 | 36 | 80 | 65 | 50 | 14.8 | 10 | 48 | | | |
| | 6005 | | | 30 40 50 60 | 25 | 47 | | 12 | 14 | h+27.8 | 41 | 86 | 71 | 56 | | | 54 | 9 | 7 | |
| | 6006 | | 50 60 80 | 35 40 50 60 | 30 | 55 | $+0.030$ 0 | 13 | 15 | h+31.8 | 48 | 104 | 84 | 64 | 17.8 | 15 | 62 | | 8 | |



| Part Number | | | T | h |
|-------------|-------------|------|----|-------|
| Code | Bearing No. | Seal | | |
| BHR71 | 6002 | | 30 | 50 |
| BHR72 | 6903 | ZZ | 30 | 40 60 |

BHR72 — 6903ZZ — T40 — h40



| Discount price | | |
|----------------|------|----------------------|
| Per | 1~4 | 5~ |
| Price | 100% | Additional quotation |



| Delivery | |
|----------|----|
| | 10 |

Angular Contact Bearings with Housings

Flanged

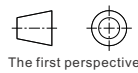
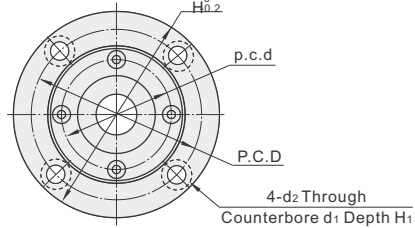
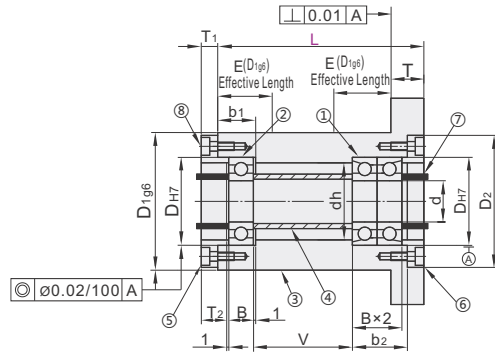
Angular Contact Back-to-Back Combination + Deep Groove Ball Bearing



Inventor self made

| Code | Type | ① Angular Contact Bearings (Back-to-Back) | ③ Housings | ④ Inner Ring Spacers | ⑧ Cover Mounting Screws | |
|-------|------------------|---|-----------------------------------|----------------------|----------------------------|-------------------|
| | | ② Deep Groove Ball Bearings | ⑤ Standard/Oil Seal/O-Ring Covers | ⑦ Inner Ring Covers | Material | Surface Treatment |
| BJC81 | Combination Type | SUJ2 | S45C | Black Oxide | SCM435 | Black Oxide |
| BJC82 | | | | | Electroless Nickel Plating | SUS304 |

- Angular Contact Bearings
Bearings Accuracy: GB / T 307.1 Class 4
Equivalent To: JIS B1514 Class 4
- Deep Groove Ball Bearings
Bearings Accuracy: GB / T 307.1 Class 0
Equivalent To: JIS B1514 Class 0



| ⑤ Standard Cover | ⑧ Cover Types Selection | | |
|------------------|--|--|----------------------|
| | N (Standard Cover) | S (Cover for Oil Seal) | R (Cover for O-Ring) |
| | | | |
| | Accessories: Oil Seal (Material: Nitrile Rubber) | Accessories: O-Ring (Material: Nitrile Rubber) | |

| Part Number | Cover Selection | L | d | D | B | b1 | b2 | Deep Groove Ball Bearings No. | H | D2 | T | dh | E | D1 | P.C.D | d1 | d2 | H1 | |
|----------------|-----------------|---|-------------|-------|----------|----------|--------|-------------------------------|----|----|----|-----|--------|--------|-------|------|------|-----|--|
| BJC81 BJC82 | 7002 | N | 60 65 70 75 | 15 32 | 9 13 20 | 10 14 22 | 6002ZZ | 75 | 48 | 12 | 28 | 18 | 50 | -0.009 | 62 | 11 | 6.5 | 6.5 | |
| | 7003 | N | 70 75 80 85 | 17 35 | 10 14 22 | 6003ZZ | 92 | 58 | 15 | 36 | 22 | 60 | -0.010 | 75 | 14 | 9.2 | 8.5 | | |
| | 7004 | N | 80 90 100 | 20 42 | 12 16 26 | 6004ZZ | 98 | 63 | 18 | 41 | 27 | 65 | -0.029 | 80 | | | | | |
| | 7005 | N | 100 110 125 | 25 47 | 13 17 28 | 6005ZZ | 120 | 78 | 18 | 48 | 80 | 98 | | 98 | | | | | |
| | 7006 | S | 120 130 150 | 30 55 | 14 18 30 | 6006ZZ | 126 | 84 | 18 | 55 | 27 | 86 | | 106 | | | | | |
| | 7007 | S | 140 150 175 | 35 62 | 15 19 32 | 6007ZZ | 140 | 92 | 20 | 60 | 30 | 95 | -0.012 | 116 | 17 | 11.2 | 10.5 | | |
| | 7008 | R | 160 180 200 | 40 68 | 16 20 34 | 6008ZZ | 145 | 98 | 20 | 69 | 30 | 100 | -0.034 | 122 | | | | | |
| | 7009 | R | 180 200 225 | 45 75 | 6010ZZ | 147 | 101 | 74 | | | | 105 | | 124 | | | | | |
| | 7010 | R | 200 220 250 | 50 80 | | | | | | | | | | | | | | | |

| Bearings No. | ⑤ ⑥ Cover Details | | | | | | | | | | ⑥ Cover Details | | | | | | | | | | ⑧ Cover Mounting Screws | ④ Inner Ring Spacer Details | | | ⑦ Inner Ring Covers Details | | |
|--------------|-------------------|-----|----|----|----|-------|-----|-----|-----|--------------|------------------------|----------------------|--------------------|---------------|----|----|-----|------------------|----------|-------|-------------------------|-----------------------------|------|------|-----------------------------|------|--|
| | D | D2 | dh | T1 | T2 | p.c.d | d3 | d4 | t2 | N (Standard) | S (Cover for Oil Seal) | R (Cover for O-Ring) | Accessory Oil Seal | Ra | Rb | Rt | r | Accessory O-Ring | O.D. | I.D. | | Thickness V | O.D. | I.D. | Thickness | | |
| 7002 | 32 | 48 | 28 | 6 | 8 | 40 | 6.5 | 3.5 | 3.1 | 21 | 32 | 22 | 5 | XUE01-20-32-5 | 24 | 20 | 3.2 | 0.4 | XTC01-20 | M3-8 | 20 | 15 | L-38 | 20 | 15 | 8.5 | |
| 7003 | 35 | 48 | 31 | 6 | 8 | 40 | 6.5 | 3.5 | 3.1 | 26 | 35 | 27 | 6 | XUE01-25-35-6 | 31 | 25 | | | XTC01-25 | M4-10 | 25 | 20 | L-48 | 25 | 20 | 9.5 | |
| 7004 | 42 | 58 | 36 | 7 | 9 | 48 | 8 | 4.5 | 4.1 | 31 | 40 | 32 | 7 | XUE01-30-40-7 | 36 | 30 | | | XTC01-30 | M4-10 | 30 | 25 | L-49 | 30 | 25 | 9.5 | |
| 7005 | 47 | 63 | 41 | 8 | 10 | 53 | 9.5 | 5.5 | 5.1 | 41 | 50 | 42 | 6.5 | XUE01-40-50-6 | 41 | 35 | 4.7 | 0.7 | XTC01-35 | M5-12 | 40 | 30 | L-52 | 40 | 30 | 10.5 | |
| 7006 | 55 | 78 | 48 | 8 | 10 | 64 | 9.5 | 5.5 | 5.1 | 46 | 60 | 47 | 9 | XUE01-45-60-9 | 46 | 40 | | | XTC01-40 | M5-12 | 45 | 35 | L-56 | 45 | 35 | 10.5 | |
| 7007 | 62 | 84 | 55 | 9 | 11 | 72 | 9.5 | 5.5 | 5.1 | 51 | 65 | 52 | 9 | XUE01-50-65-9 | 51 | 45 | | | XTC01-45 | M6-12 | 50 | 40 | L-59 | 50 | 40 | 11.5 | |
| 7008 | 68 | 92 | 60 | 9 | 11 | 78 | 9.5 | 5.5 | 5.1 | 56 | 70 | 57 | 9 | XUE01-55-70-9 | 56 | 50 | | | XTC01-50 | M6-12 | 55 | 45 | L-62 | 55 | 45 | 11.5 | |
| 7009 | 75 | 98 | 69 | 11 | 13 | 85 | 11 | 6.6 | 6.1 | 61 | 75 | 62 | 9 | XUE01-60-75-9 | 70 | 60 | 7.5 | 0.8 | XTC01-60 | M6-15 | 60 | 50 | L-64 | 60 | 50 | 13.5 | |
| 7010 | 80 | 101 | 74 | 11 | 13 | 88 | 11 | 6.6 | 6.1 | 61 | 75 | 62 | 9 | XUE01-60-75-9 | 70 | 60 | 7.5 | 0.8 | XTC01-60 | M6-15 | 60 | 50 | L-64 | 60 | 50 | 13.5 | |

Bearings with Housings



| Part Number | Cover Types Selection | L |
|-------------------|-----------------------|-------|
| Code Bearings No. | | |
| BJC81 7002 | N | 60 75 |
| BJC82 7003 | S | 70 85 |

BJC82 — 7003 — S — L70



Discount price
Per 1~4 5~
Price 100% Additional quotation

Delivery
10