

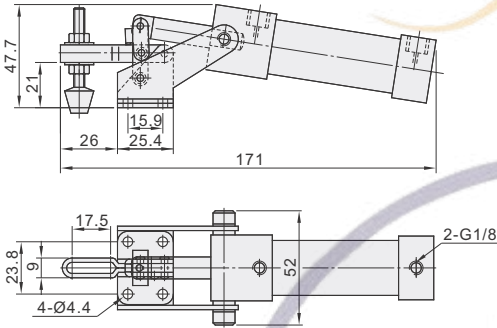
# Pneumatic Clamps

## ◀ Flange Base Horizontal Hold-Down

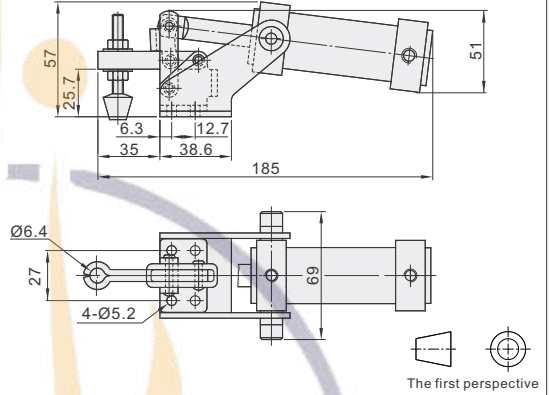
Code	WDC10101-A	WDC12050-A
Mounting Bracket	Flange Base	Flange Base
Arm	U-BAR	Fixed Point-BAR
Body Material	Carbon Steel	Carbon Steel
Tightening Force(kg)	50	91
Arm Open-Close Angle	82°	92°
Cylinder Bore	20	32
Cylinder Area(cm <sup>2</sup> )	3.14	7.07
MAX. Cylinder Air Pressure(kg/cm <sup>2</sup> )(PSI)	10(140)	10(140)
Weight(g)	280	620
Accessories(Bolt)	WDN10138	WDN14134



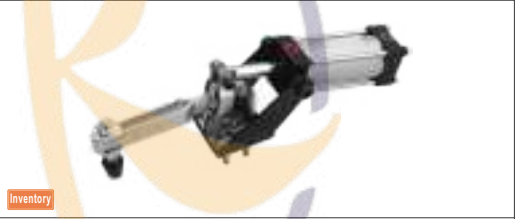
WDC10101-A



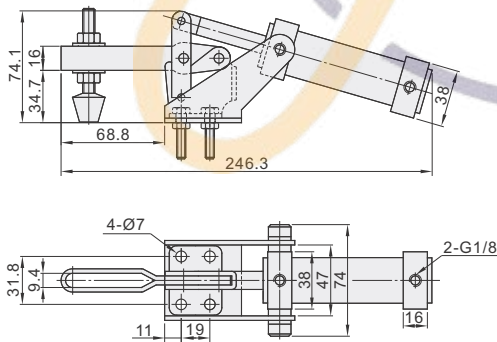
WDC12050-A



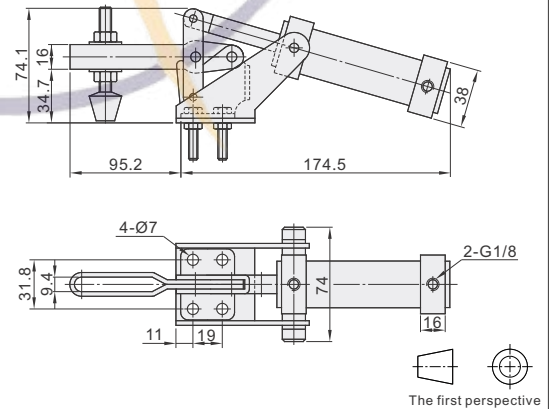
Code	WDC12130-A	WDC12132-A
Mounting Bracket	Flange Base	Flange Base
Arm	U-BAR	Long U-BAR
Body Material	Carbon Steel	Carbon Steel
Tightening Force(kg)	227	227
Arm Open-Close Angle	92°	92°
Cylinder Bore	32	32
Cylinder Area(cm <sup>2</sup> )	7.07	7.07
MAX. Cylinder Air Pressure(kg/cm <sup>2</sup> )(PSI)	10(140)	10(140)
Weight(g)	900	900
Accessories(Bolt)	WDN56212	WDN56212



WDC12130-A



WDC12132-A



Pneumatic Clamps  
Toggle Clamps



Please order as shown

Code  
WDC12130-A



Discount price  
Per 1~5 6~  
Price 100% Additional quotation



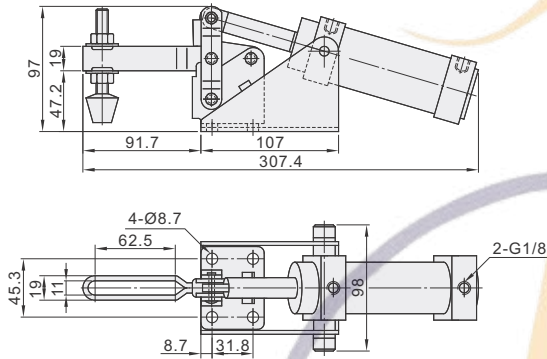
Delivery  
10

Horizontal Hold-Down

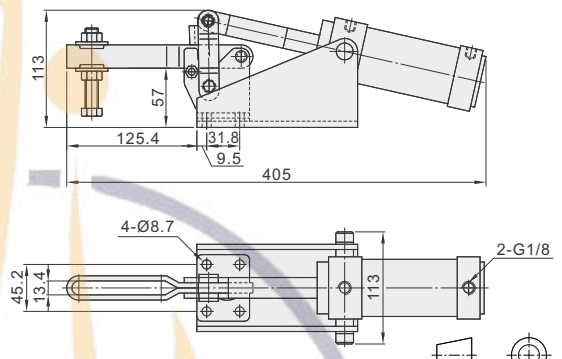
Code	WDC12265-A	WDC10247-A
Mounting Bracket	Flange Base	Flange Base
Arm	U-BAR	Long U-BAR
Body Material	Carbon Steel	Carbon Steel
Tightening Force(kg)	340	450
Arm Open-Close Angle	86°	95°
Cylinder Bore	40	50
Cylinder Area(cm <sup>2</sup> )	12.56	19.625
MAX. Cylinder Air Pressure(kg/cm <sup>2</sup> )(PSI)	10(140)	10(140)
Weight(g)	1640	3620
Accessories(Bolt)	WDN38312	WDQ12300



WDC12265-A



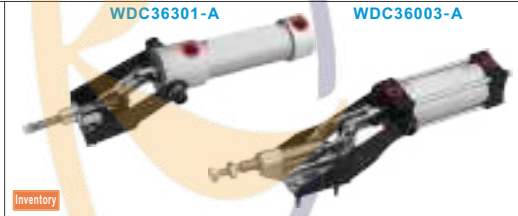
WDC10247-A



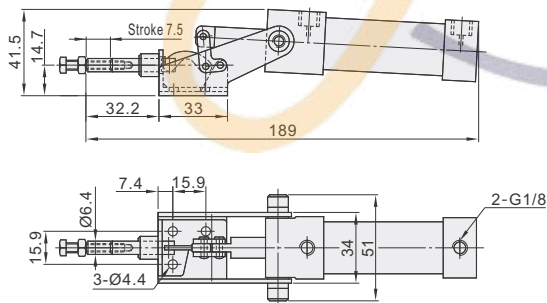
The first perspective

Push-Pull Hold-Down

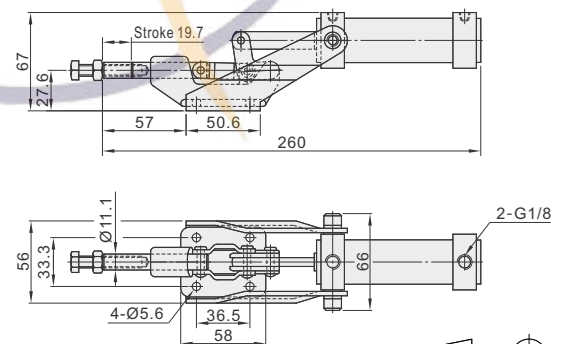
Code	WDC36301-A	WDC36003-A
Mounting Bracket	Flange Base	Flange Base
Body Material	Carbon Steel	Carbon Steel
Tightening Force(kg)	45	272
Stroke	7.5	19.7
Cylinder Bore	20	32
Cylinder Area(cm <sup>2</sup> )	3.14	7.07
MAX. Cylinder Air Pressure(kg/cm <sup>2</sup> )(PSI)	10(140)	10(140)
Weight(g)	280	960
Accessories(Bolt)	WDP042007	WDP085012



WDC36301-A



WDC36003-A



The first perspective



Code  
WDC36301-A



Discount price  
Per 1-5 6-  
Price 100% Additional quotation

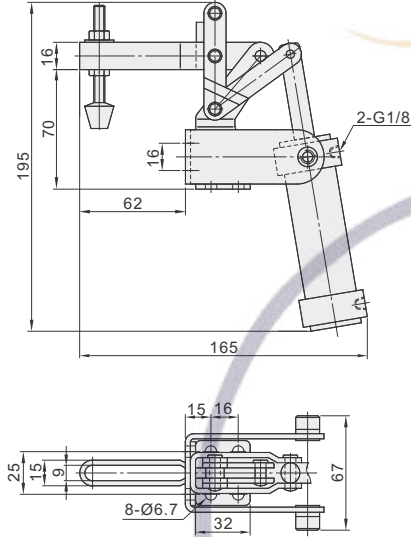


Delivery  
10

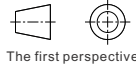
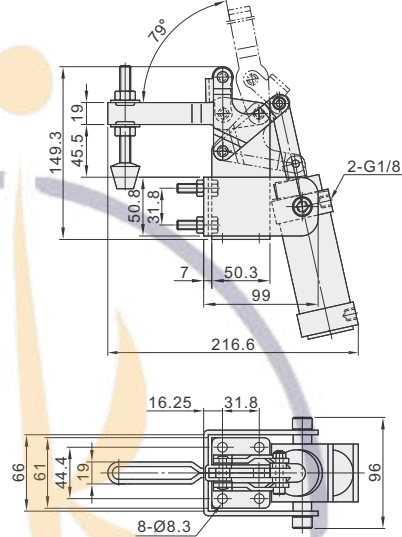
Code	WDC20820-A	WDC20830-A
Mounting Bracket	Side Mount Base	Side Mount Base
Arm	U-BAR	U-BAR
Body Material	Carbon Steel	Carbon Steel
Tightening Force(kg)	100	340
Stroke	7.5	19.7
Cylinder Bore	32	40
Cylinder Area(cm <sup>2</sup> )	7.07	12.56
MAX. Cylinder Air Pressure(kg/cm <sup>2</sup> )(PSI)	10(140)	10(140)
Weight(g)	1000	2060
Accessories(Bolt)	WDN56212	WDN38312



WDC20820-A



WDC20830-A



Code  
WDC20820-A



Discount price  
Per 1~5 6~  
Price 100% Additional quotation



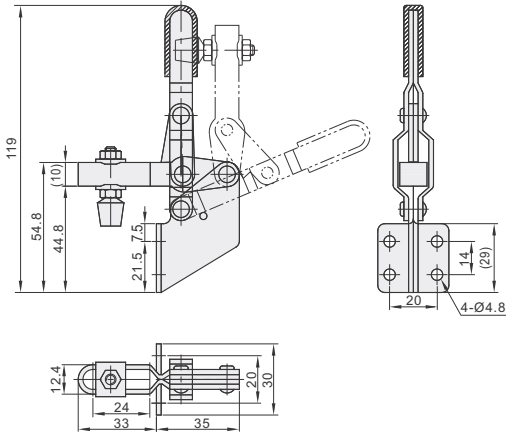
Delivery  
10

# Toggle Clamps

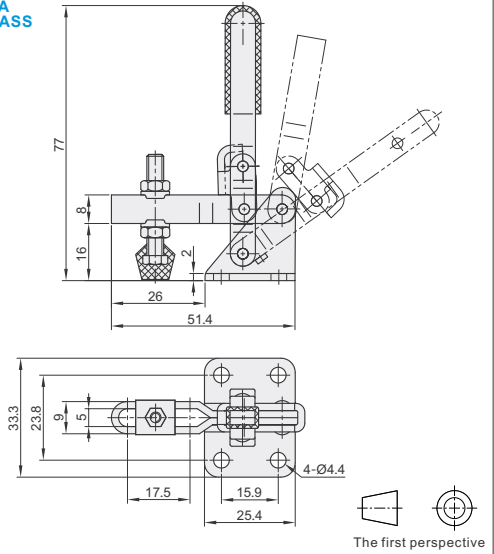
- ▶ Side Mount Base
- ▶ Flange Base
- Vertical Hold-Down

Code	WDC101-B	WDC101-A	WDC101-ASS
Mounting Bracket	Side Mount Base	Flange Base	Flange Base
Arm	U-BAR	U-BAR	U-BAR
Body Material	SS400	SS400	SUS304
Surface Treatment	Zinc-Plated	Zinc-Plated	—
Tightening Force(kg)	100	50	50
Arm Open-Close Angle	90°	100°	100°
Handle Open-Close Angle	65°	56°	56°
Weight(g)	135	60	60
Accessories(Bolt)	WDN-14134	WDN-10138	10138(Stainless Steel)

## WDC101-B

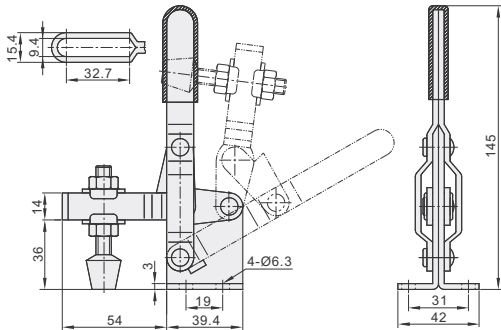


## WDC101-A WDC101-ASS

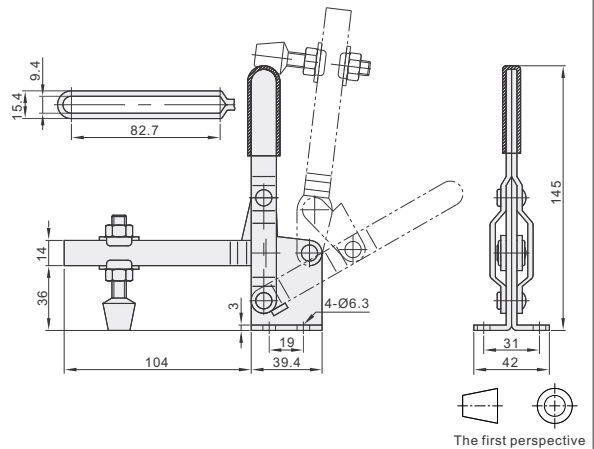


Code	WDC101-D	WDC101-E
Mounting Bracket	Flange Base	Flange Base
Arm	U-BAR	Long U-BAR
Body Material	SS400	SS400
Surface Treatment	Zinc-Plated	Zinc-Plated
Tightening Force(kg)	180	180
Arm Open-Close Angle	100°	100°
Handle Open-Close Angle	60°	60°
Weight(g)	330	360
Accessories(Bolt)	WDN-56212	WDN-56212

## WDC101-D



## WDC101-E



## WDC101-B



## WDC101-A WDC101-ASS



Inventory

Inventory



Code  
WDC101-B



Discount price  
Per 1~9 10~  
Price 100% Additional quotation

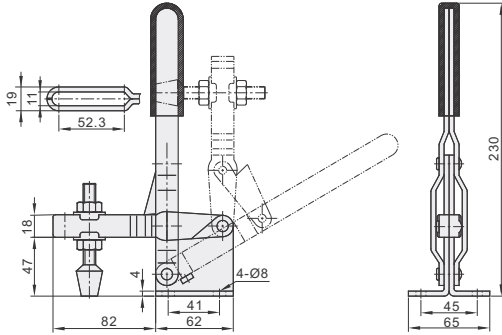


Delivery  
10

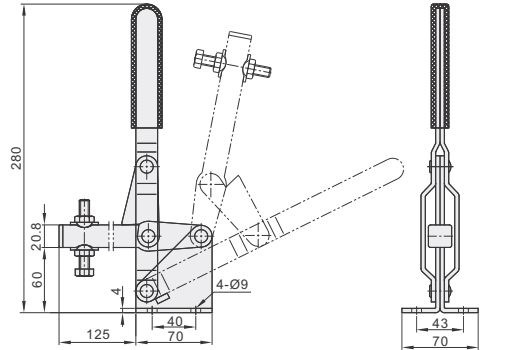
Code	WDC101-EL	WDC101-H
Mounting Bracket	Flange Base	Flange Base
Arm	U-BAR	U-BAR
Body Material	SS400	SS400
Surface Treatment	Zinc-Plated	Zinc-Plated
Tightening Force(kg)	360	450
Arm Open-Close Angle	90°	101°
Handle Open-Close Angle	60°	63°
Weight(g)	838	1220
Accessories(Bolt)	WDN-38312	WDQ-12300



WDC101-EL



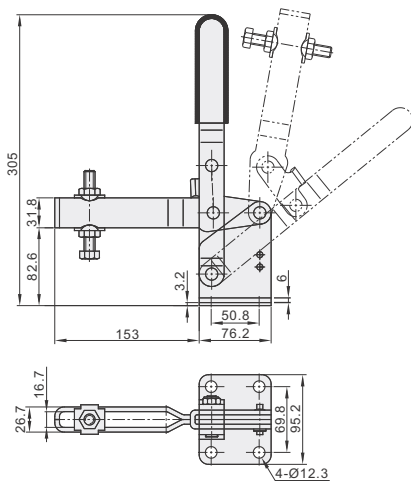
WDC101-H



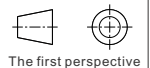
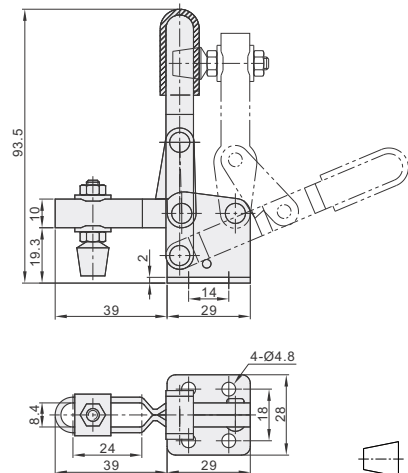
Code	WDC101-J	WDC102-B
Mounting Bracket	Flange Base	Flange Base
Arm	U-BAR	U-BAR
Body Material	SS400	SS400
Surface Treatment	Zinc-Plated	Zinc-Plated
Tightening Force(kg)	550	100
Arm Open-Close Angle	100°~140°	90°
Handle Open-Close Angle	48°~68°	65°
Weight(g)	2540	115
Accessories(Bolt)	WDQ-58500	WDN-14134



WDC101-J



WDC102-B



Code  
WDC101-J



Discount price  
Per 1~9 10~  
Price 100% Additional quotation



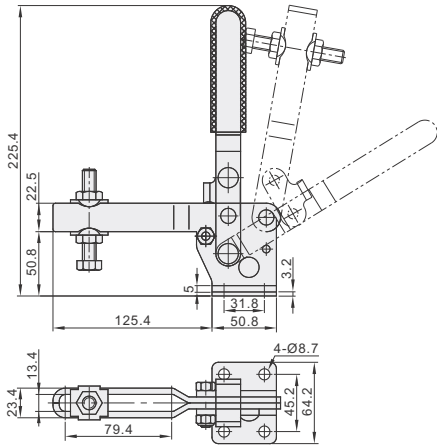
Delivery  
10

# Toggle Clamps

## ◀ Flange Base Vertical Hold-Down

Code	WDC10247	WDC10444
Mounting Bracket	Flange Base	Flange Base
Arm	U-BAR	(Long)Solid Bar
Body Material	SS400	SS400
Surface Treatment	Zinc-Plated	Zinc-Plated
Tightening Force(kg)	450	400
Arm Open-Close Angle	100°~135°	85°
Handle Open-Close Angle	58°~70°	58°
Weight(g)	1250	870
Accessories(Bolt)	WDQ-12300	WDQ-38200

WDC10247



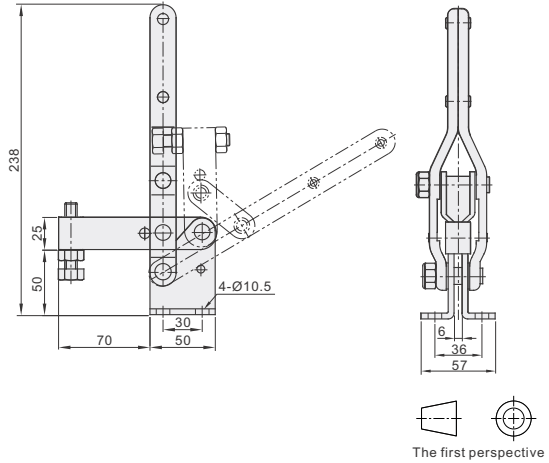
WDC10247



WDC10444



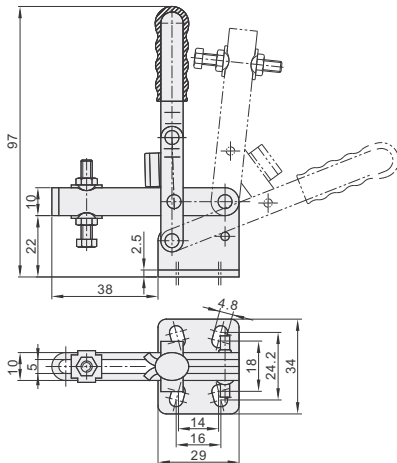
WDC10444



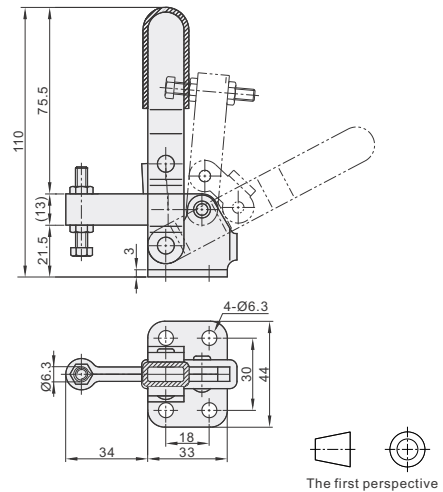
The first perspective

Code	WDC11002-B	WDC11401
Mounting Bracket	Flange Base	Flange Base
Arm	U-BAR	Fixed Point-BAR
Body Material	SS400	SS400
Surface Treatment	Zinc-Plated	Zinc-Plated
Tightening Force(kg)	75	100
Arm Open-Close Angle	96°	95°
Handle Open-Close Angle	69°	65°
Weight(g)	128	200
Accessories(Bolt)	WDP-054008	WDP-064010

WDC11002-B



WDC11401



The first perspective



Please order as shown

Code  
WDC11002-B



Discount price  
Per 1~9 10~  
Price 100% Additional quotation

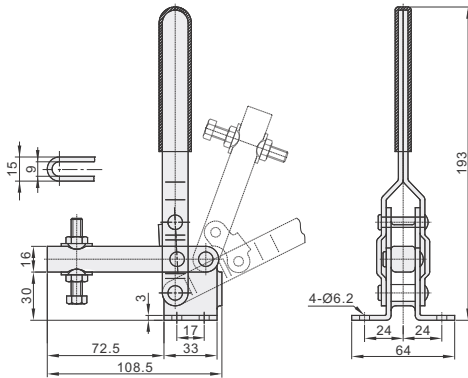


Delivery  
10

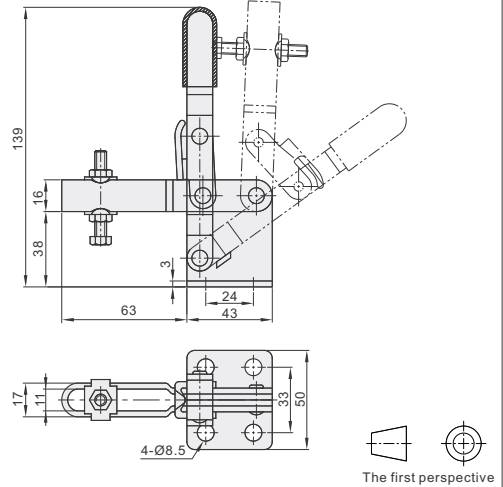
Code	WDC11412	WDC11421
Mounting Bracket	Flange Base	Flange Base
Arm	U-BAR	U-BAR
Body Material	SS400	SS400
Surface Treatment	Zinc-Plated	Zinc-Plated
Tightening Force(kg)	200	200
Arm Open-Close Angle	110°	94°
Handle Open-Close Angle	64°	45°
Weight(g)	370	370
Accessories(Bolt)	WDP-085012	WDP-085012



WDC11412



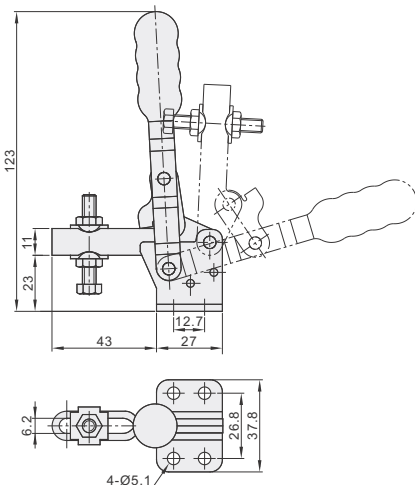
WDC11421



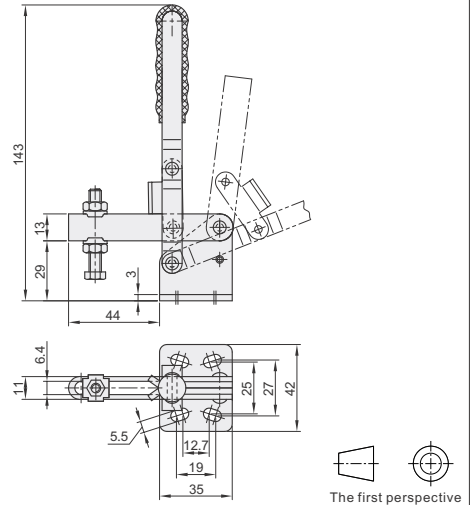
Code	WDC11502-B	WDC12002-B
Mounting Bracket	Flange Base	Flange Base
Arm	U-BAR	U-BAR
Body Material	SS400	SS400
Surface Treatment	Zinc-Plated	Zinc-Plated
Tightening Force(kg)	150	150
Arm Open-Close Angle	95°~185°	108°
Handle Open-Close Angle	75°~110°	70°
Weight(g)	150	170
Accessories(Bolt)	WDP-065012	WDP-065010



WDC11502-B



WDC12002-B



Code  
WDC11502-B



Discount price  
Per 1~9 10~  
Price 100% Additional quotation



Delivery  
10

# Toggle Clamps

## ◀ Flange Base Vertical Hold-Down

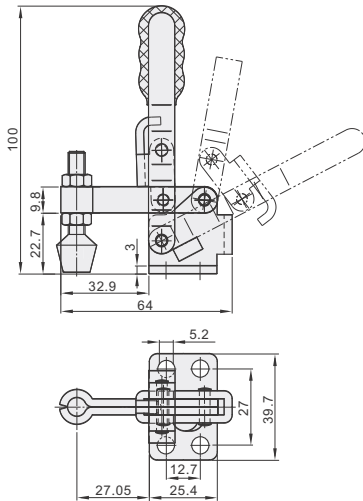
Code	WDC12050	WDC12050-SS	WDC12050-U
Mounting Bracket	Flange Base	Flange Base	Flange Base
Arm	Fixed Point-BAR	Fixed Point-BAR	U-BAR
Body Material	SS400	SUS304	SS400
Surface Treatment	Zinc-Plated	—	Zinc-Plated
Tightening Force(kg)	91	91	91
Arm Open-Close Angle	100°	100°	100°
Handle Open-Close Angle	60°	60°	60°
Weight(g)	170	170	170
Accessories(Bolt)	WDN-14134	14134(Stainless Steel)	WDN-14134

WDC12050  
WDC12050-SS

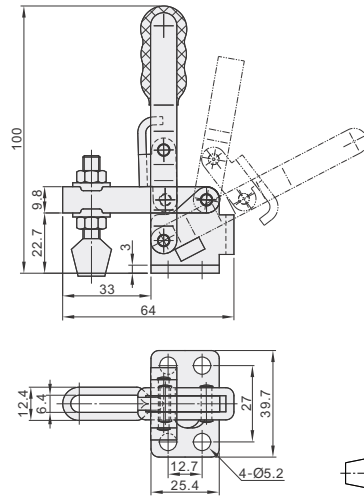
WDC12050-U



WDC12050  
WDC12050-SS



WDC12050-U



The first perspective

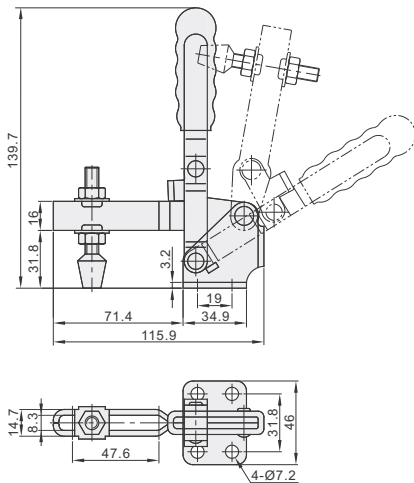
Code	WDC12130	WDC12130-SS	WDC12130-HB
Mounting Bracket	Flange Base	Flange Base	Flange Base
Arm	U-BAR	U-BAR	High U-BAR
Body Material	SS400	SUS304	SS400
Surface Treatment	Zinc-Plated	—	Zinc-Plated
Tightening Force(kg)	227	227	227
Arm Open-Close Angle	100°	100°	100°
Handle Open-Close Angle	60°	60°	60°
Weight(g)	355	355	401
Accessories(Bolt)	WDN-56212	56212(Stainless Steel)	WDN-56212

WDC12130  
WDC12130-SS

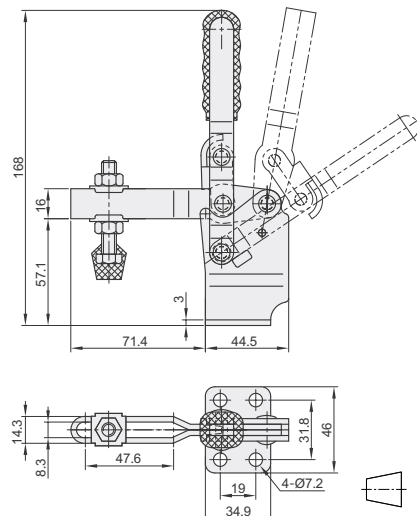
WDC12130-HB



WDC12130  
WDC12130-SS



WDC12130-HB



The first perspective



Please order as shown

Code  
WDC12130



● Discount price  
Per 1~9 10~  
Price 100% Additional quotation

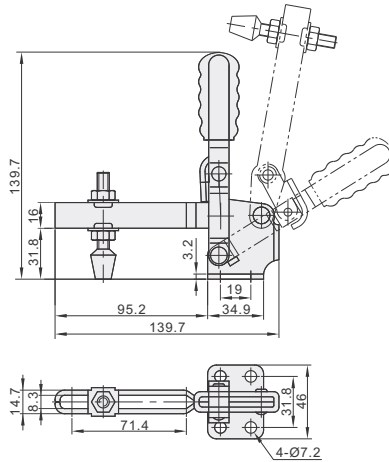


Delivery  
10



Code	<b>WDC12132</b>
Mounting Bracket	Flange Base
Arm	Long U-BAR
Body Material	SS400
Surface Treatment	Zinc-Plated
Tightening Force(kg)	227
Arm Open-Close Angle	100°
Handle Open-Close Angle	60°
Weight(g)	370
Accessories(Bolt)	WDN-56212

**WDC12132**



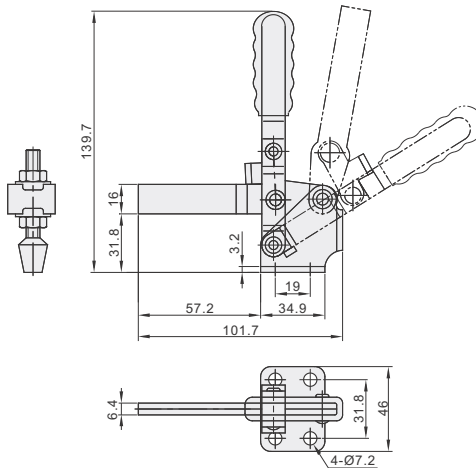
The first perspective

**WDC12132**



Code	<b>WDC12140</b>
Mounting Bracket	Flange Base
Arm	(Short)Solid BAR
Body Material	SS400
Surface Treatment	Zinc-Plated
Tightening Force(kg)	227
Arm Open-Close Angle	100°
Handle Open-Close Angle	60°
Weight(g)	340
Accessories(Bolt)	WDN-56212

**WDC12140**



The first perspective

**WDC12140**



Split type, adjustable pressing head, need welding while using.



Code  
**WDC12140**



Discount price  
Per 1~9 10~  
Price 100% Additional quotation



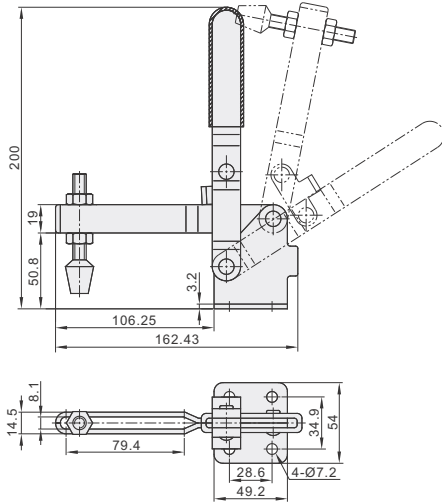
Delivery  
**10**

# Toggle Clamps

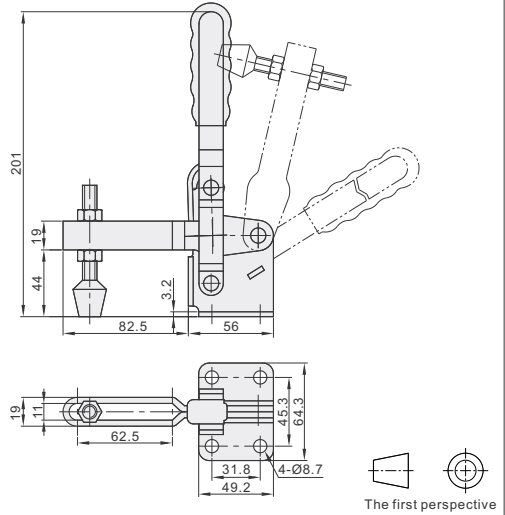
## ◀ Flange Base Vertical Hold-Down

Code	WDC12205	WDC12265
Mounting Bracket	Flange Base	Flange Base
Arm	U-BAR	U-BAR
Body Material	SS400	SS400
Surface Treatment	Zinc-Plated	Zinc-Plated
Tightening Force(kg)	182	340
Arm Open-Close Angle	101°	105°
Handle Open-Close Angle	57°	58°
Weight(g)	620	635
Accessories(Bolt)	WDN-56212	WDN-38312

WDC12205

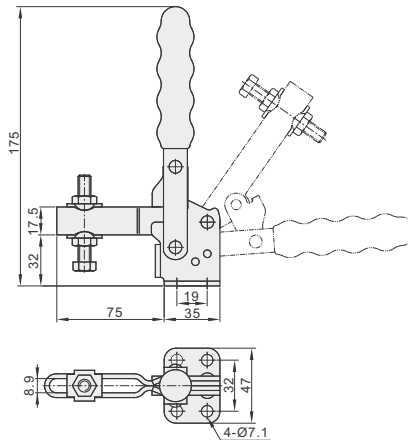


WDC12265

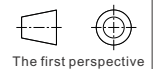


Code	WDC12502-B
Mounting Bracket	Flange Base
Arm	U-BAR
Body Material	SS400
Surface Treatment	Zinc-Plated
Tightening Force(kg)	250
Arm Open-Close Angle	90°~150°
Handle Open-Close Angle	70°~100°
Weight(g)	380
Accessories(Bolt)	WDP-085012

WDC12502-B



WDC12502-B



Pneumatic Clamps  
Toggle Clamps

H3



Code  
WDC12275



Discount price  
Per 1~9 10~  
Price 100% Additional quotation

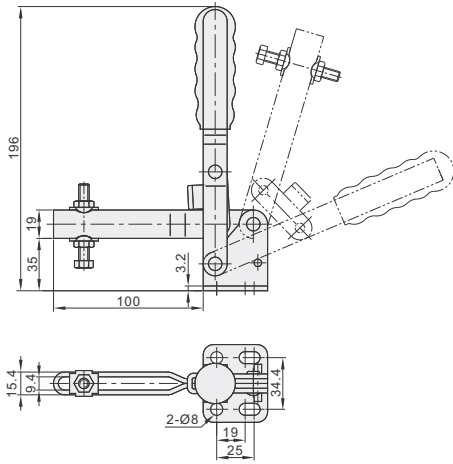


Delivery  
10

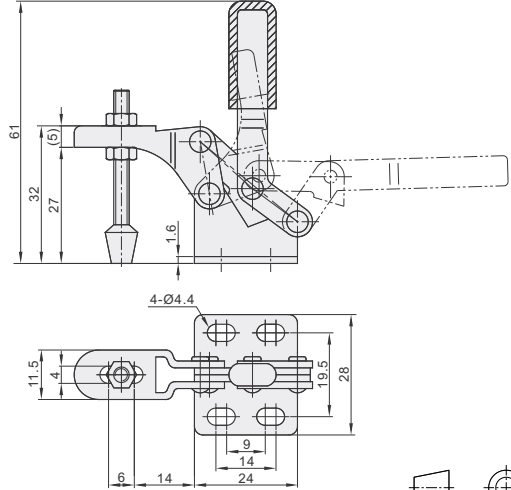
Code	WDC13002-B	WDC13009
Mounting Bracket	Flange Base	Flange Base
Arm	U-BAR	U-BAR
Body Material	SS400	SS400
Surface Treatment	Zinc-Plated	Zinc-Plated
Tightening Force(kg)	250	30
Arm Open-Close Angle	106°	80°
Handle Open-Close Angle	67°	88°
Weight(g)	380	40
Accessories(Bolt)	WDP-086512	WDM-044207



WDC13002-B



WDC13009



Please order as shown

Code  
WDC13002-B



Discount price  
Per 1~9 10~  
Price 100% Additional quotation



Delivery  
10

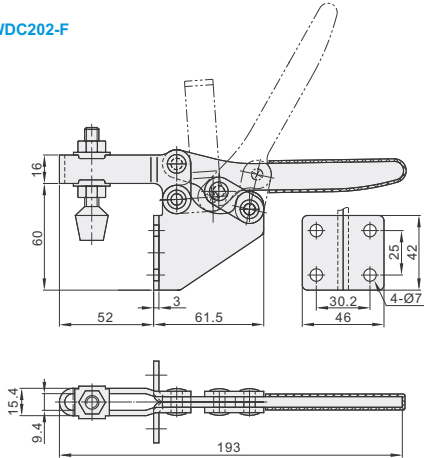
# Toggle Clamps

## Side Mount Base Horizontal Hold-Down

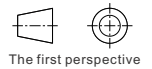
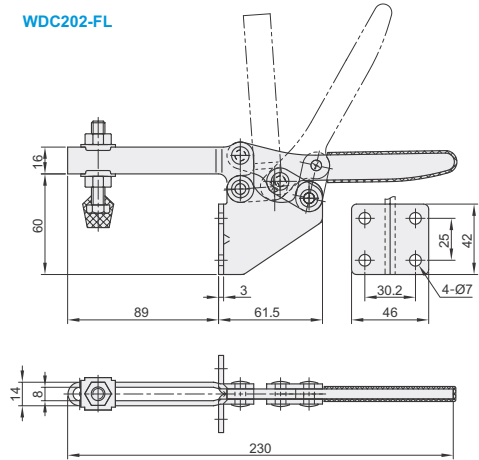
Code	WDC202-F	WDC202-FL
Mounting Bracket	Side Mount Base	Side Mount Base
Arm	U-BAR	Long U-BAR
Body Material	SS400	SS400
Surface Treatment	Zinc-Plated	Zinc-Plated
Tightening Force(kg)	227	227
Arm Open-Close Angle	85°	85°
Handle Open-Close Angle	58°	58°
Weight(g)	385	370
Accessories(Bolt)	WDN-56212	WDN-56212



WDC202-F



WDC202-FL



Please order as shown

Code

WDC202-F



Discount price

Per	1~9	10~
Price	100%	Additional quotation



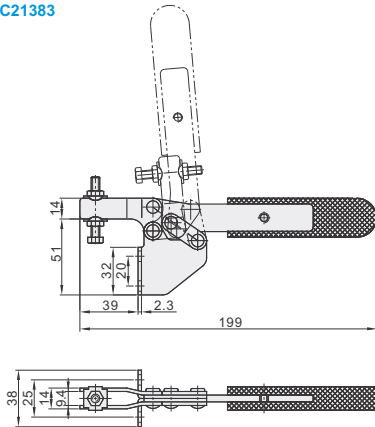
Delivery

10

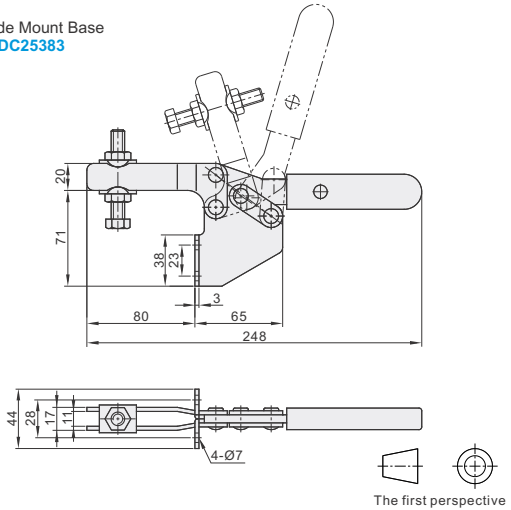
Code	WDC21383	WDC25383
Mounting Bracket	Side Mount Base	Side Mount Base
Arm	Short Open-BAR	Long Open-BAR
Body Material	SS400	SS400
Surface Treatment	Zinc-Plated	Zinc-Plated
Tightening Force(kg)	250	280
Arm Open-Close Angle	72°	80°
Handle Open-Close Angle	72°	80°
Weight(g)	210	435
Accessories(Bolt)	WDP-065010	WDP-086512



Side Mount Base  
WDC21383



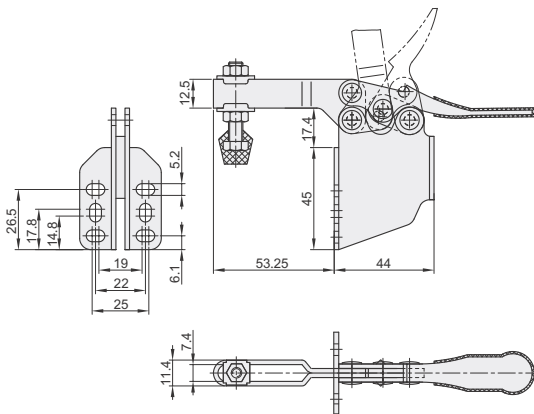
Side Mount Base  
WDC25383



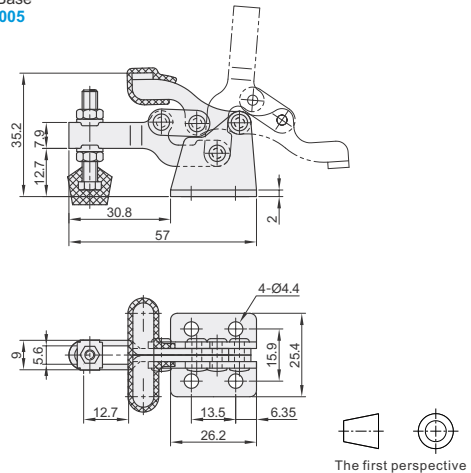
Code	WDC201-BSM	WDC13005
Mounting Bracket	Side Mount Base	Flange Base
Arm	U-BAR	U-BAR
Body Material	SS400	SS400
Surface Treatment	Zinc-Plated	Zinc-Plated
Tightening Force(kg)	90	68
Arm Open-Close Angle	85°	170°
Handle Open-Close Angle	60°	90°
Weight(g)	163	60
Accessories(Bolt)	WDN-14134	WDN-10138



Side Mount Base  
WDC201-BSM



Flange Base  
WDC13005



Code  
WDC21383



Discount price  
Per 1~9 10~  
Price 100% Additional quotation



Delivery  
10

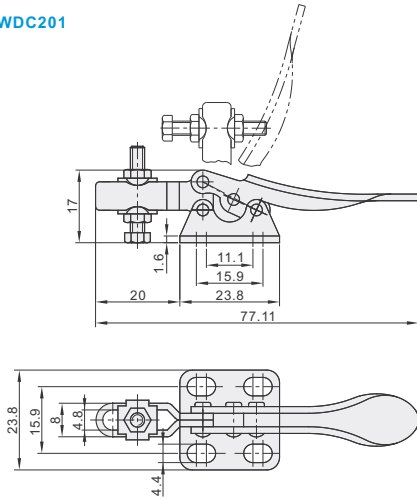
# Toggle Clamps

## ◀ Flange Base Horizontal Hold-Down

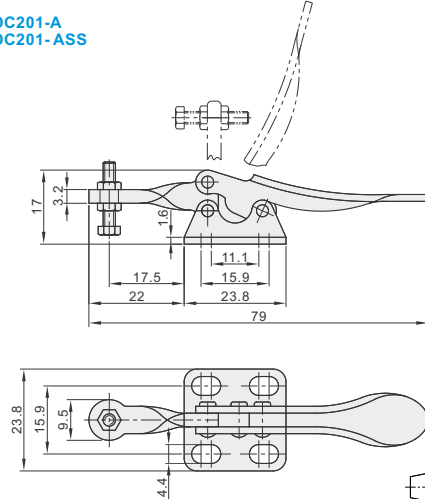
Code	WDC201	WDC201-A	WDC201-ASS
Mounting Bracket	Flange Base	Flange Base	Flange Base
Arm	U-BAR	Solid Bar	Solid Bar
Body Material	SS400	SS400	SUS304
Surface Treatment	Zinc-Plated	Zinc-Plated	—
Tightening Force(kg)	27	27	27
Arm Open-Close Angle	90°	90°	90°
Handle Open-Close Angle	80°	80°	80°
Weight(g)	35	30	30
Accessories(Bolt)	08034(Nylon)	(08034)Nylon	(08034)Stainless Steel



WDC201



WDC201-A  
WDC201-ASS

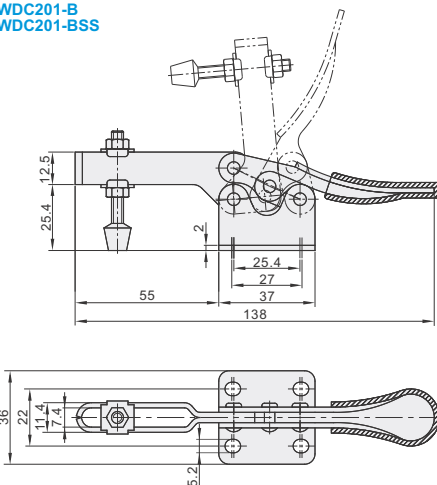


The first perspective

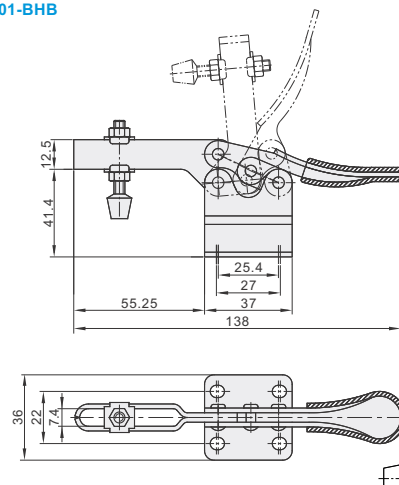
Code	WDC201-B	WDC201-BSS	WDC201-BHB
Mounting Bracket	Flange Base	Flange Base	Flange Base
Arm	U-BAR	U-BAR	High U-BAR
Body Material	SS400	SUS304	SS400
Surface Treatment	Zinc-Plated	—	Zinc-Plated
Tightening Force(kg)	90	90	90
Arm Open-Close Angle	85°	85°	85°
Handle Open-Close Angle	60°	60°	60°
Weight(g)	130	130	146
Accessories(Bolt)	WDN-14134	14134(Stainless Steel)	WDN-14134



WDC201-B  
WDC201-BSS



WDC201-BHB



The first perspective

Pneumatic Clamps  
Toggle Clamps

H3



Code  
WDC201-B



Discount price  
Per 1~9 10~  
Price 100% Additional quotation

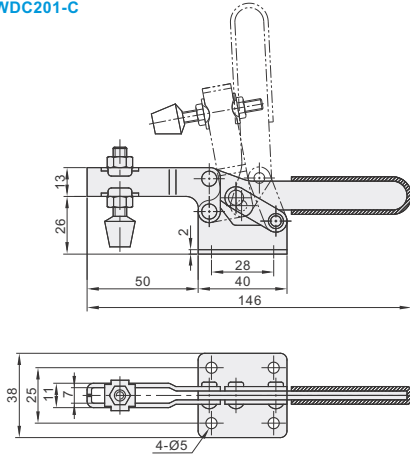


Delivery  
10

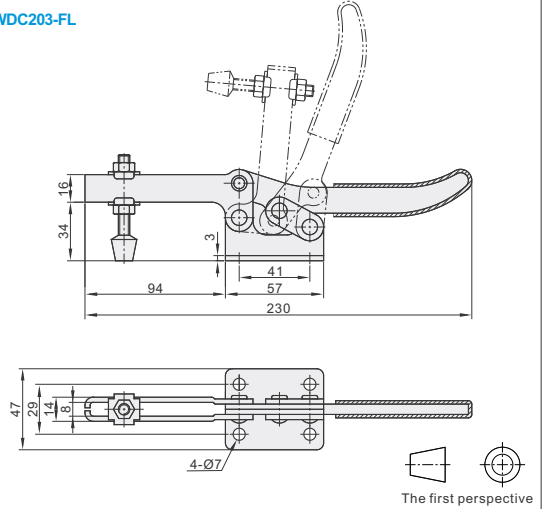
Code	WDC201-C	WDC203-FL
Mounting Bracket	Flange Base	Flange Base
Arm	U-BAR	Long U-BAR
Body Material	SS400	SS400
Surface Treatment	Zinc-Plated	Zinc-Plated
Tightening Force(kg)	100	227
Arm Open-Close Angle	79°	85°
Handle Open-Close Angle	87°	58°
Weight(g)	140	380
Accessories(Bolt)	WDN-14134	WDN-56212



WDC201-C



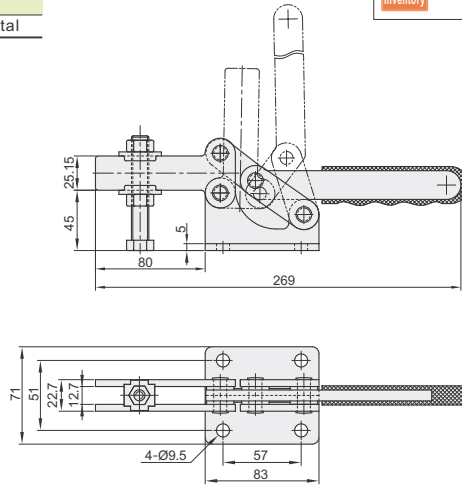
WDC203-FL



Code	WDC204-GB
Mounting Bracket	Flange Base
Arm	Open-Bar,Low Base
Body Material	SS400
Surface Treatment	Zinc-Plated
Tightening Force(kg)	630
Arm Open-Close Angle	90°
Handle Open-Close Angle	94°
Weight(g)	1180
Accessories(Bolt)	(12300)Metal



WDC204-GB



The first perspective



Code  
WDC203-FL



Discount price  
Per 1~9 10~  
Price 100% Additional quotation



Delivery  
10

# Toggle Clamps

## ◀ Flange Base Horizontal Hold-Down

Code	WDC20100	WDC20235
Mounting Bracket	Flange Base	Flange Base
Arm	Solid Bar	U-BAR
Body Material	SS400	SS400
Surface Treatment	Zinc-Plated	Zinc-Plated
Tightening Force(kg)	20	340
Arm Open-Close Angle	75°	85°
Handle Open-Close Angle	75°	50°
Weight(g)	35	640
Accessories(Bolt)	WDP-042507	WDN-38312

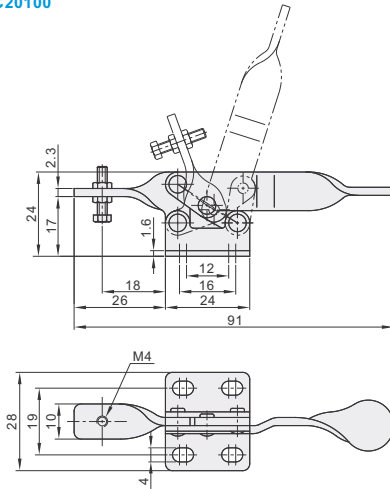
WDC20100

WDC20235

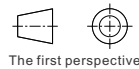
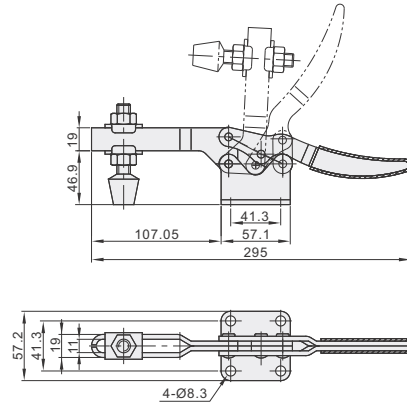


Inventory

WDC20100



WDC20235



The first perspective

Code	WDC20300	WDC20400
Mounting Bracket	Flange Base	Flange Base
Arm	U-BAR	U-BAR
Body Material	SS400	SS400
Surface Treatment	Zinc-Plated	Zinc-Plated
Tightening Force(kg)	30	20
Arm Open-Close Angle	65°	55°
Handle Open-Close Angle	55°	60°
Weight(g)	100	25.5
Accessories(Bolt)	WDP-044007	WDP-042507

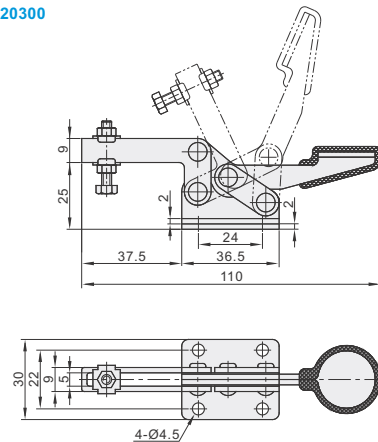
WDC20300

WDC20400

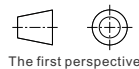
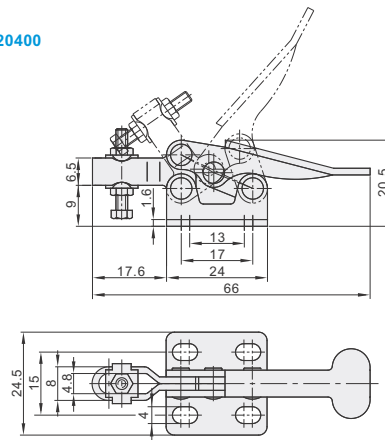


Inventory

WDC20300



WDC20400



The first perspective



Please order as shown

Code  
WDC20300



Discount price  
Per 1~9 10~  
Price 100% Additional quotation



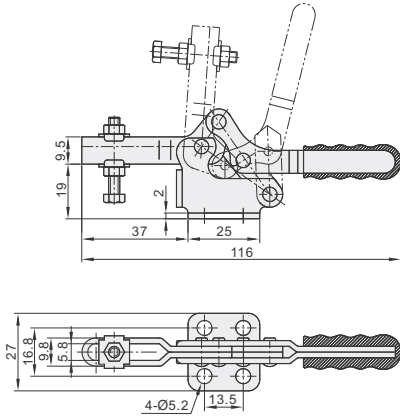
Delivery  
10



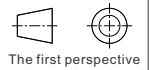
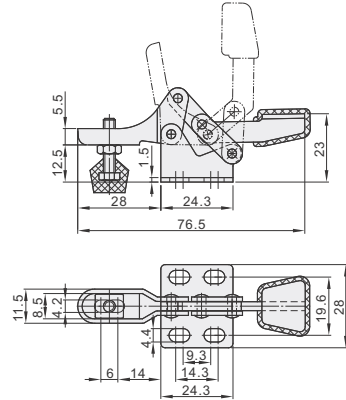
Code	WDC20752-B	WDC20800
Mounting Bracket	Flange Base	Flange Base
Arm	U-BAR	U-BAR
Body Material	SS400	SS400
Surface Treatment	Zinc-Plated	Zinc-Plated
Tightening Force(kg)	75	30
Arm Open-Close Angle	94°	80°
Handle Open-Close Angle	76°	88°
Weight(g)	100	40
Accessories(Bolt)	WDP-053008	WDM-042507



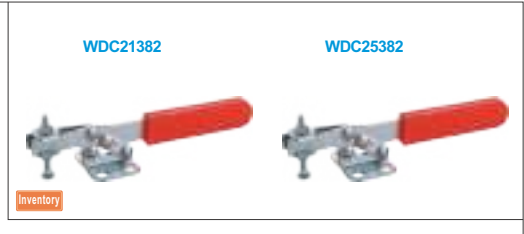
WDC20752-B



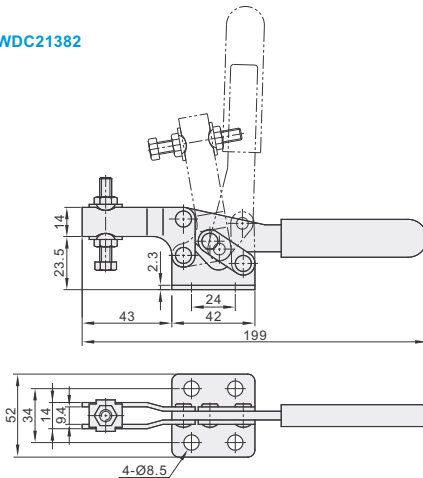
WDC20800



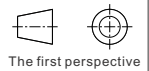
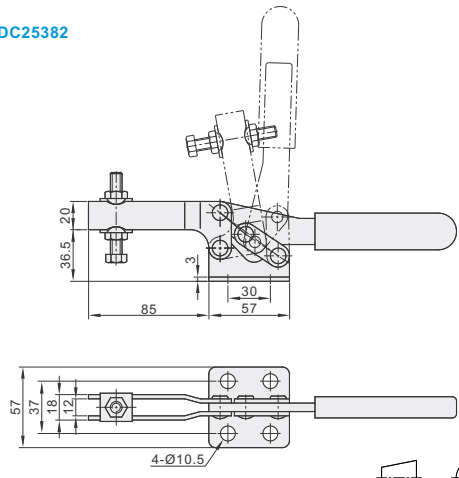
Code	WDC21382	WDC25382
Mounting Bracket	Flange Base	Flange Base
Arm	Short Open-BAR	Long Open-BAR
Body Material	SS400	SS400
Surface Treatment	Zinc-Plated	Zinc-Plated
Tightening Force(kg)	250	280
Arm Open-Close Angle	75°	80°
Handle Open-Close Angle	70°	80°
Weight(g)	190	380
Accessories(Bolt)	WDP-065010	WDP-086512



WDC21382



WDC25382



Code  
WDC21382



Discount price  
Per 1~9 10~  
Price 100% Additional quotation



Delivery  
10

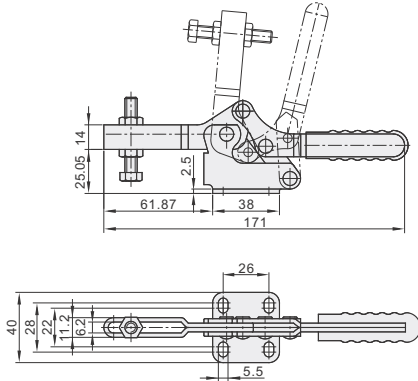
# Toggle Clamps

## ◀ Flange Base Horizontal Hold-Down

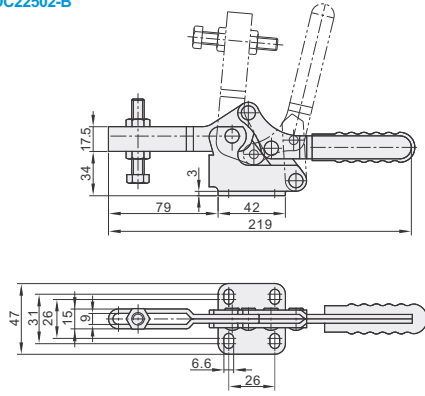
Code	WDC21502-B	WDC22502-B
Mounting Bracket	Flange Base	Flange Base
Arm	U-BAR	U-BAR
Body Material	SS400	SS400
Surface Treatment	Zinc-Plated	Zinc-Plated
Tightening Force(kg)	150	250
Arm Open-Close Angle	94°	94°
Handle Open-Close Angle	76°	76°
Weight(g)	230	430
Accessories(Bolt)	WDP-064010	WDP-085012



WDC21502-B



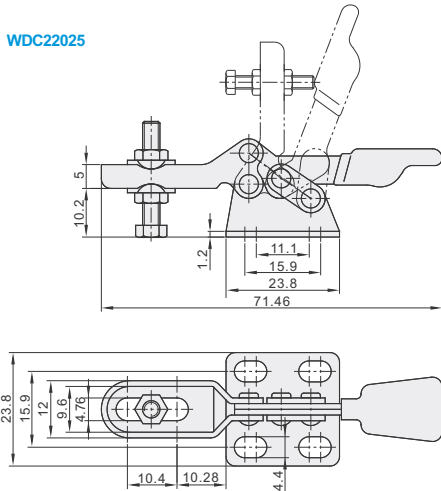
WDC22502-B



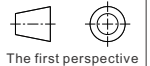
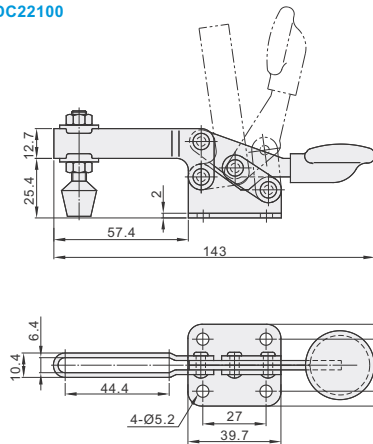
Code	WDC22025	WDC22100
Mounting Bracket	Flange Base	Flange Base
Arm	Low U-BAR	U-BAR
Body Material	SS400	SS400
Surface Treatment	Zinc-Plated	Zinc-Plated
Tightening Force(kg)	22.7	68
Arm Open-Close Angle	90°	90°
Handle Open-Close Angle	60°	90°
Weight(g)	25	110
Accessories(Bolt)	WDQ-08034	WDN-14134



WDC22025



WDC22100



Pneumatic Clamps  
Toggle Clamps  
H3



Code  
WDC22025



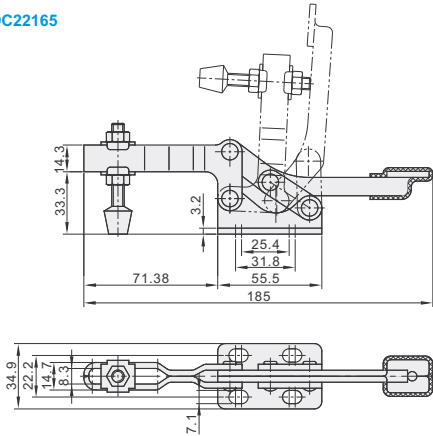
Discount price  
Per 1~9 10~  
Price 100% Additional quotation

Delivery  
10

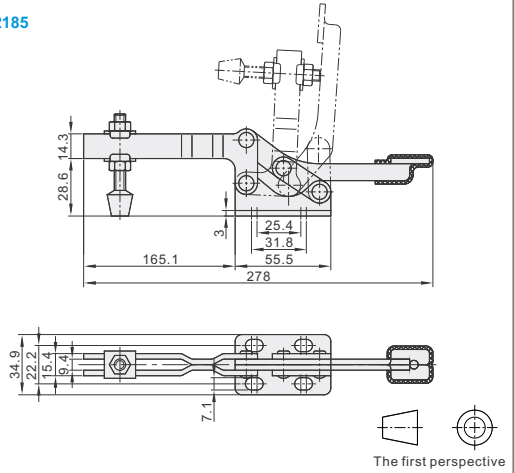
Code	WDC22165	WDC22185
Mounting Bracket	Flange Base	Flange Base
Arm	Short U-BAR	Long U-BAR
Body Material	SS400	SS400
Surface Treatment	Zinc-Plated	Zinc-Plated
Tightening Force(kg)	250	250
Arm Open-Close Angle	96°	96°
Handle Open-Close Angle	88°	88°
Weight(g)	285	360
Accessories(Bolt)	WDN-56212	WDN-56212



WDC22165



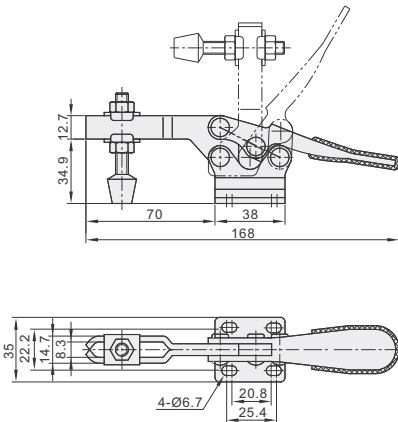
WDC22185



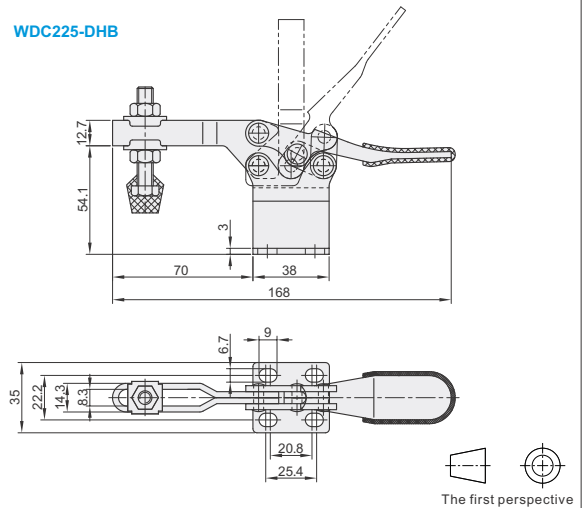
Code	WDC225-D	WDC225-DHB
Mounting Bracket	Flange Base	Flange Base
Arm	U-BAR	High U-BAR
Body Material	SS400	SS400
Surface Treatment	Zinc-Plated	Zinc-Plated
Tightening Force(kg)	227	227
Arm Open-Close Angle	90°	90°
Handle Open-Close Angle	65°	65°
Weight(g)	265	286
Accessories(Bolt)	WDN-56212	WDN-56212



WDC225-D



WDC225-DHB



The first perspective



Code  
WDC225-D



Discount price  
Per 1~9 10~  
Price 100% Additional quotation



Delivery  
10

# Toggle Clamps

## Flange Base Push-Pull Hold-Down

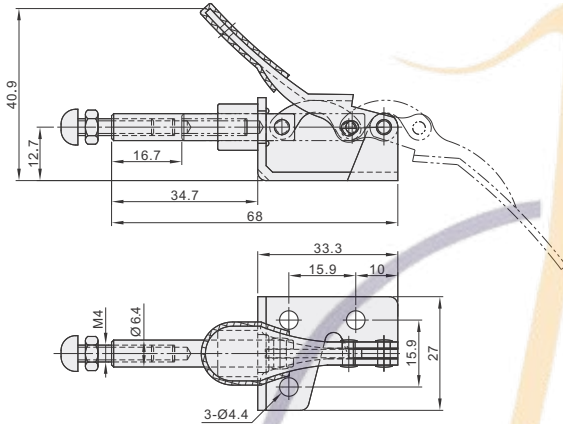
Code	WDC301-AM	WDC301-AMSS	WDC301-BM
Mounting Bracket	Flange Base	Flange Base	Flange Base
Body Material	SS400	SUS304	SS400
Surface Treatment	Zinc-Plated	—	Zinc-Plated
Tightening Force(kg)	45	45	45
Stroke	16.7	16.7	16.7
Handle Open-Close Angle	190°	190°	190°
Weight(g)	50	50	50
Accessories(Bolt)	042007(Nylon)	042007(Stainless Steel)	WDP-042007

WDC301-AM  
WDC301-AMSS

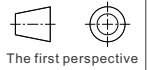
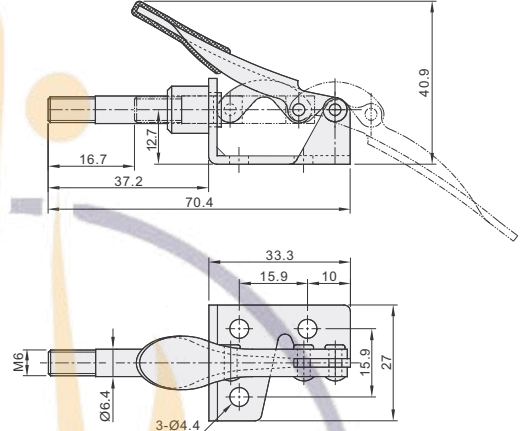
WDC301-BM



WDC301-AM  
WDC301-AMSS



WDC301-BM



The first perspective



Code

WDC301-AM



Discount price

Per	1~9	10~
Price	100%	Additional quotation



Delivery

10

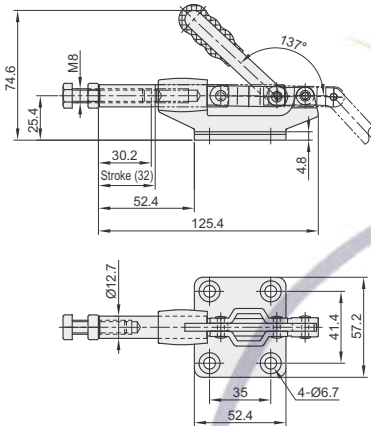
# Toggle Clamps

## Flange Base/360° Mountable Push-Pull Hold-Down

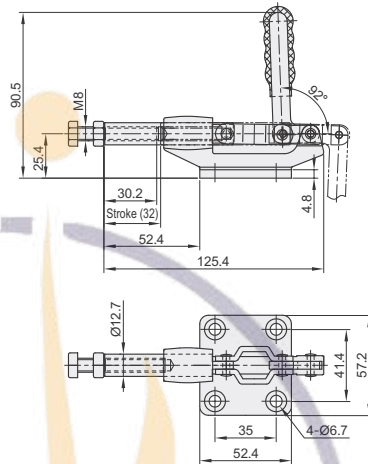
Code	WDC304-CM	WDC305-CM
Mounting Bracket	Flange Base	Flange Base
Body Material	SS400	SS400
Surface Treatment	Zinc-Plated	Zinc-Plated
Tightening Force(kg)	227	227
Stroke	32	32
Handle Open-Close Angle	180°	180°
Weight(g)	340	340
Accessories(Bolt)	WDP-085012	WDP-085012



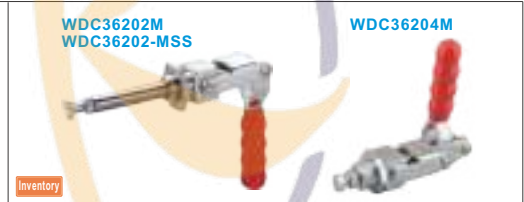
WDC304-CM



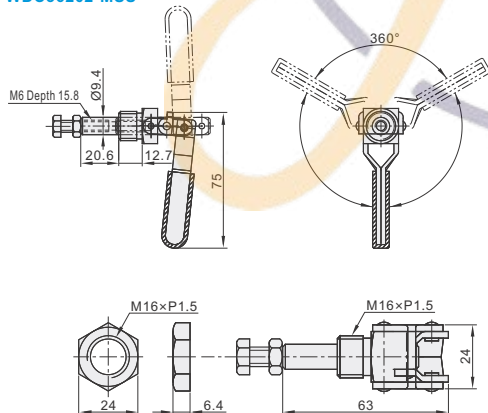
WDC305-CM



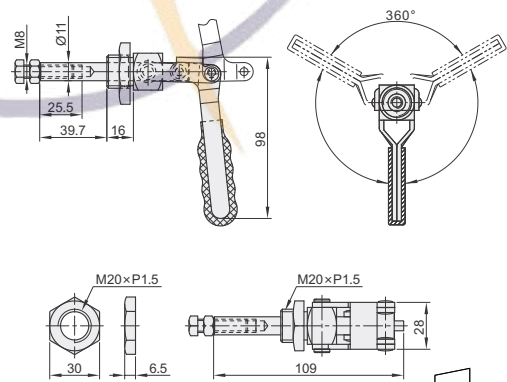
Code	WDC36202M	WDC36202-MSS	WDC36204M
Mounting Bracket	360° Mountable	360° Mountable	360° Mountable
Body Material	SS400	SUS304	SS400
Surface Treatment	Zinc-Plated	—	Zinc-Plated
Tightening Force(kg)	91	91	136
Stroke	19	19	38
Handle Open-Close Angle	180°	180°	180°
Weight(g)	113	113	270
Accessories(Bolt)	WDP-064010	064010(Stainless Steel)	WDP-085012



WDC36202M  
WDC36202-MSS



WDC36204M



Pneumatic Clamps  
Toggle Clamps



Code  
WDC304-CM



Discount price  
Per 1~9 10~  
Price 100% Additional quotation

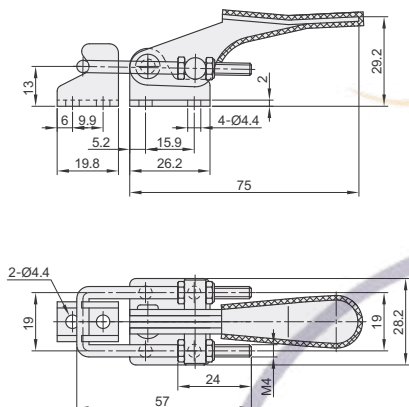


Delivery  
10

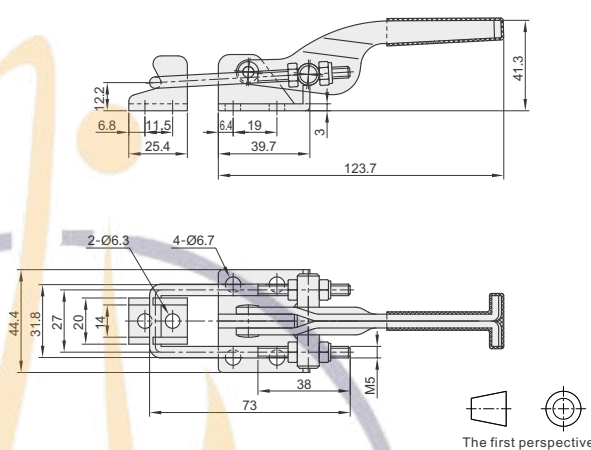
Code	WDC40323	WDC431
Mounting Bracket	Flange Base	Flange Base
Body Material	SS400	SS400
Surface Treatment	Zinc-Plated	Zinc-Plated
Tightening Force(kg)	163	318
Weight(g)	70	225



WDC40323



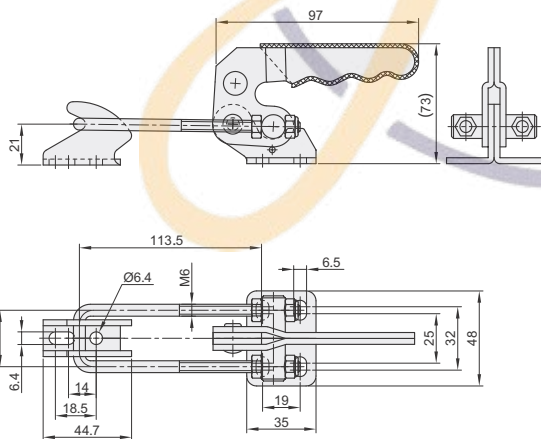
WDC431



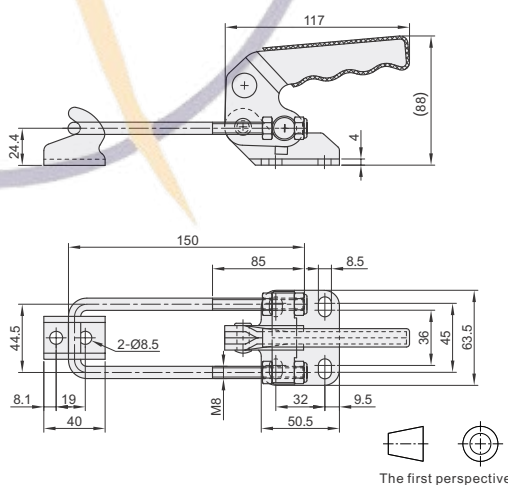
Code	WDC40840	WDC40870
Mounting Bracket	Flange Base	Flange Base
Body Material	SS400	SS400
Surface Treatment	Zinc-Plated	Zinc-Plated
Tightening Force(kg)	400	700
Weight(g)	306	700



WDC40840



WDC40870



Code  
WDC40840



Discount price  
Per 1~9 10~  
Price 100% Additional quotation

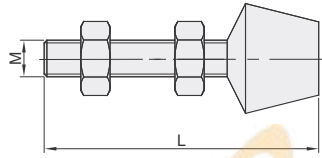
Delivery  
10

# Metal Heads for Clamps

- ◀ Rubber Tip
- ◀ Hexagon Screw Tip

## ◻ Rubber Tip

Code	Type	Thread	Bolt Part		Tip Part
			Material	Surface Treatment	Material
WDM	Rubber Tip	Metric	SS400	Zinc-Plated	Rubber
WDN					



## ◻ Metric

Part Number		M	L
Code	No.		
WDM	042507	4	25
	044207		42
	053008	5	36
	064410	6	44
	065110		51
	086312	8	63
	087512		75
	108515	10	85
	121017	12	100

## ◻ Inch

Part Number		UNC	Number of Thread Teeth	L
Code	No.			
WDM	10138	3/16	24	1-3/8
	12334	1/2	13	3-3/4
	14134	1/4	20	1-3/4
	14218			2-1/8
	38312	3/8	16	3-1/2
	38412			4-1/2
	56212	5/16	18	2-1/2
	56300			3



Part Number		M
Code	No.	
WDM	042507	4
	044207	
	053008	5

WDM-053008



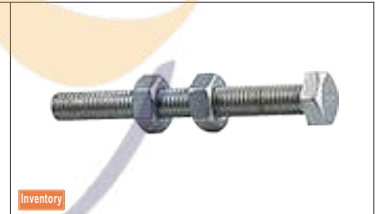
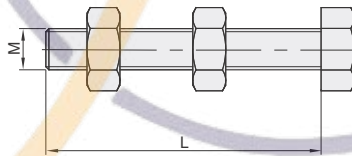
Discount price		
Per	1~9	10~
Price	100%	Additional quotation



Delivery	
	10

## ◻ Hexagon Screw Tip

Code	Type	Thread	Bolt Part	
			Material	Surface Treatment
WDP	Hexagon Screw Tip	Metric	SS400	Zinc-Plated



Part Number		M	L
Code	No.		
WDP	042007	4	20
	042507		25
	044007	5	40
	051508		15
	054008	6	40
	064010		40
	065010	8	50
	083012		30
	085012	10	50
	086512		65
	105015	12	50
	106515		65
	107515	90	75
	109015		90
	121017	100	



Part Number		M
Code	No.	
WDP	042507	4
	044007	
	051508	5

WDP-051508



Discount price		
Per	1~9	10~
Price	100%	Additional quotation



Delivery	
	10